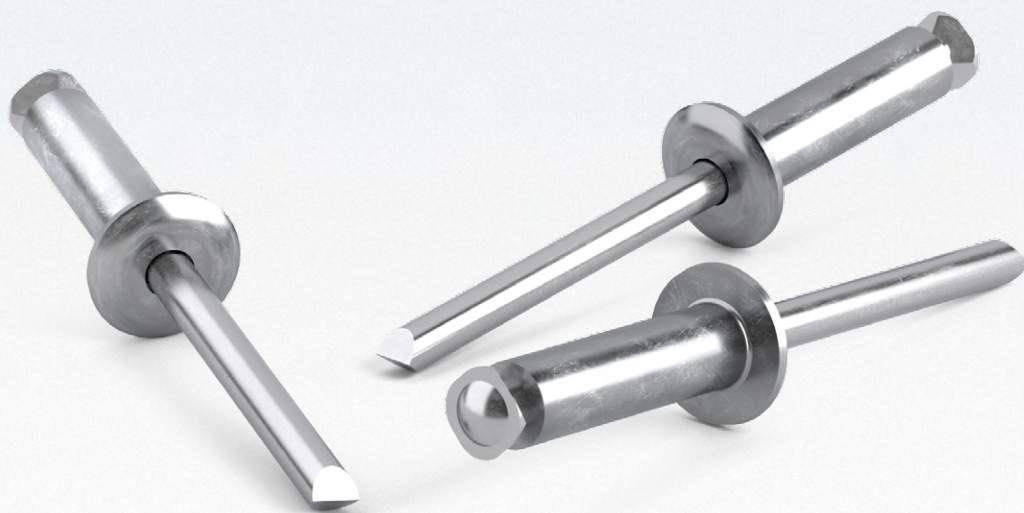


Fastening Technology / Blind Rivets

# TIFAS<sup>®</sup> Peel Blind Rivets



### **Copyright**

All texts, images, technical documents and other information contained in this catalogue are subject to copyright held by Titgemeyer GmbH & Co. KG. Any reproduction or disclosure, whether as a copy or other form of duplication or use, is expressly prohibited without the prior consent of Titgemeyer GmbH & Co. KG.

### **Registered trademarks**

The trademarks BÖRTI, GETO, GETO therm, GETOVAN, GTO, LockBolt, MEGA PORT, plasti van, PLYFIX, POLYSTIC, press-ti, RIEKO, RIV-TI, ROLL-TO, TIBOLT, TIBULB, TIFAS, TILA, TIOS and Titgemeyer are registered trademarks and the intellectual property of Titgemeyer GmbH & Co. KG.

### **Term of Delivery and Payment**

All deliveries are carried out in compliance with our Terms of Delivery and Payment.

### **Limitation of liability**

All technical data, performance descriptions, drawings, illustrations, measurements, weights or any other performance data, recommendations and guidelines contained in this catalogue and relating to the installation of parts that we supply are only binding if so expressly agreed. Moreover, the user is obliged at all times to check each individual use and decide whether the components that we supply can be used as needed.

We accept liability in the case of wilful intent, gross negligence and infringement of cardinal contractual duties as well as for errors in respect of express or implied representations. Notwithstanding this, any claims for compensation not explicitly agreed to in these terms and conditions are hereby excluded in the case of customers who are not consumers and, in the case of such customers, who are not consumers, at all events limited to the damage foreseeable at the time of concluding the contract as well as to the value of the delivered consignment. To the extent that our liability is excluded or limited, this shall extend accordingly to the personal liability of employees, legal representatives and vicarious agents. In all instances of gross negligence committed by vicarious agents, we shall solely be liable to customers, who are not consumers, to compensate for typically foreseeable damage. The statutory regulation governing the burden of proof shall remain unaffected. The aforementioned limitation of liability shall not apply to claims resulting from product liability, for damage resulting from injury to life, limb or health, or for damage to privately used property.

**All technical specifications contained in this brochure are approximate and no guarantee is given as to their accuracy. Designs are subject to change.**

# Contents

			Page
TIFAS® Peel blind rivets	Overview		5
	Dome head	Aluminium / steel	6
	Dome head	Stainless steel / stainless steel	7



# TIFAS® Peel blind rivets



TIFAS® Peel blind rivets are especially suited for fastening hard to soft materials. As the rivet sleeve splits into 4 parts, the rivet claws its way into the soft material on its blind side, thereby ensuring that the load is more evenly distributed. The high clamp force makes for a tight connection. Can be used for large drill hole tolerances on the blind side. TIFAS® Peel blind rivets are thus very suited for joining wood, hardboard, plastic, fiberglass and similar materials.

## Large blindside footprint.

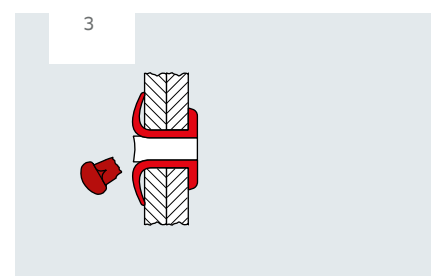
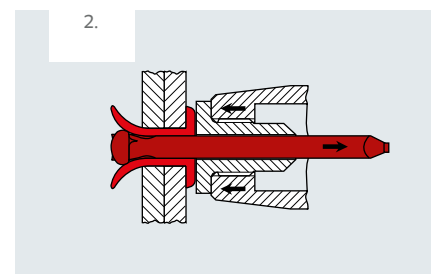
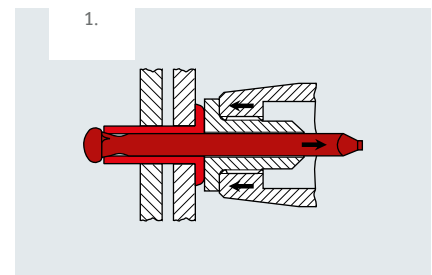


## Sample applications

- General industry
- Automotive industry
- Construction industry
- Bodywork and vehicle manufacture
- Insulation technology
- Interior fittings

## Benefits at a glance

- Ideal for hard/soft connections
- Large drill hole tolerances
- Quick and secure installation
- Permanent secure fixing
- Heatless installation means component will not warp.
- Eliminates extensive refinishing
- Fastens different types of material, such as metal or plastic
- Ideal for lightweight constructions

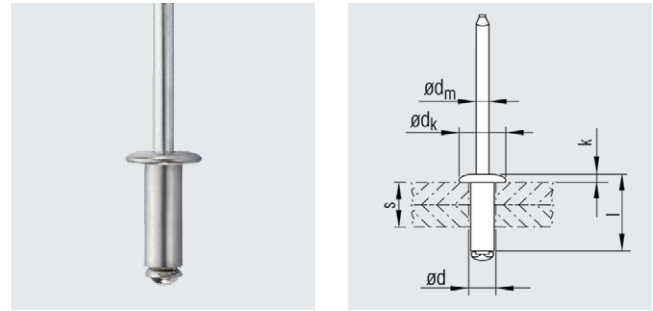


# TIFAS® Peel blind rivets

## Dome head

### Material

■ Sleeve: Aluminum AlMg3.5/5  
■ Mandrel: Steel, galvanised



Nominal $\varnothing$ d [mm]	Bore $\varnothing$ [mm]	Grip range s [mm]	Blind sleeve l +1.0-0.2 [mm]	Blind rivet head		Mandrel $\varnothing$ d <sub>m</sub> nom. [mm]	Nominal strength at break		Article No.
				$\varnothing$ dk +0.5/-1.0 [mm]	Height k max [mm]		Shear [N]	Tensile [N]	
3.2	3.6 - 3.7	0.5 - 1.0	8.0	6	1.1	1.8	765	700	424 650 907
		1.0 - 3.0	10.0	6	1.1	1.8	765	700	424 651 907
		3.0 - 5.0	12.0	6	1.1	1.8	765	700	424 652 907
4.0	4.4 - 4.5	2.0 - 5.0	10.0	8	1.4	2.2	1200	1100	424 660 907
		4.0 - 6.5	12.0	8	1.4	2.2	1200	1100	424 661 907
		6.0 - 9.0	14.0	8	1.4	2.2	1200	1100	424 662 907
		8.0 - 11.0	16.0	8	1.4	2.2	1200	1100	424 663 907
		10.0 - 13.0	18.0	8	1.4	2.2	1200	1100	424 664 907
		12.0 - 15.0	20.0	8	1.4	2.2	1200	1100	424 665 907
		15.0 - 20.0	25.0	8	1.4	2.2	1200	1100	424 666 907
4.8	5.3 - 5.4	20.0 - 25.0	30.0	8	1.4	2.2	1200	1100	424 667 907
		1.5 - 4.0	10.0	9.5	1.5	2.7	1700	1600	424 670 907
		3.0 - 6.0	12.0	9.5	1.5	2.7	1700	1600	424 671 907
		5.0 - 8.0	14.0	9.5	1.5	2.7	1700	1600	424 672 907
		7.0 - 9.5	16.0	9.5	1.5	2.7	1700	1600	424 673 907
		9.0 - 12.0	18.0	9.5	1.5	2.7	1700	1600	424 674 907
		11.0 - 14.0	20.0	9.5	1.5	2.7	1700	1600	424 675 907
		12.0 - 16.0	22.0	9.5	1.5	2.7	1700	1600	424 676 907
		16.0 - 19.0	25.0	9.5	1.5	2.7	1700	1600	424 677 907
		19.0 - 24.0	30.0	9.5	1.5	2.7	1700	1600	424 678 907
6.4	6.8 - 7.0	24.0 - 29.0	35.0	9.5	1.5	2.7	1700	1600	424 679 907
		6.0 - 10.0	25.0	12	2.1	3.6	2500	3200	424 685 900
		6.0 - 15.0	30.0	12	2.1	3.6	2500	3200	424 686 900
		9.0 - 23.0	38.0	12	2.1	3.6	2500	3200	424 687 900
		15.0 - 35.0	50.0	12	2.1	3.6	2500	3200	424 688 900

\* Strengths at break relate to rivet failure.

Other designs available on request.

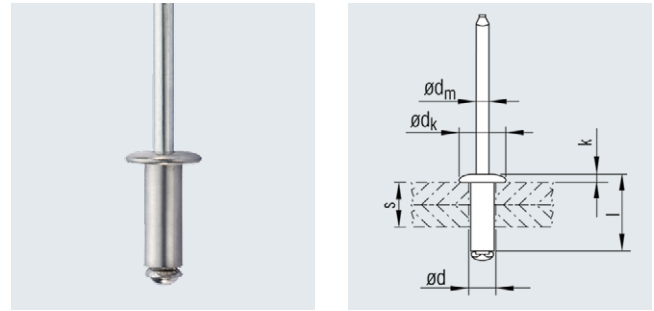
# TIFAS® Peel blind rivets

## Dome head

### Material

█  
Sleeve:  
Stainless steel A2

█  
Mandrel:  
Stainless steel A2



Nominal $\varnothing$ d [mm]	Bore $\varnothing$ [mm]	Grip range s [mm]	Blind sleeve l +1.0-0.2 [mm]	Blind rivet head		Mandrel $\varnothing$ d <sub>m</sub> nom. [mm]	Nominal strength at break		Article No.
				$\varnothing$ [mm]	Height k max [mm]		Shear [N]	Tensile [N]	
4.0	4.6 - 4.7	1.5 - 4.0	10.0	7.9	1.7	2.6	3000	1000	424 881 000
		5.0 - 7.0	13.0	7.9	1.7	2.6	3000	1000	424 882 000
		8.0 - 10.0	16.0	7.9	1.7	2.6	3000	1000	424 883 000
4.8	5.8 - 5.9	8.0 - 10.0	16.0	9.5	2.0	3.0	4500	1000	424 887 000

\* Strengths at break relate to rivet failure.

Other designs available on request.

## About us

Titgemeyer Group is a leading fastening technology and transport technology group of companies with 15 sites across Europe. Steeped in tradition, the company develops, manufactures and sells more than 30,000 fastening elements, tools and vehicle components – in series and to customer specification.

### Headquarters

**Titgemeyer GmbH & Co. KG**  
Hannoversche Straße 97  
49084 Osnabrück / DE

POB 4320  
49033 Osnabrück / DE

T +49 541 5822-0  
E [info@titgemeyer.com](mailto:info@titgemeyer.com)  
W [titgemeyer.com](http://titgemeyer.com)



### Sales locations

**Gebr. Titgemeyer GmbH**  
Brunner Straße 77 - 79  
1230 Wien / AT

T +43 (0) 1/6 67 90 40 - 0  
E [sales@titgemeyer.com](mailto:sales@titgemeyer.com)  
W [titgemeyer.at](http://titgemeyer.at)

**Titgemeyer CZ spol. s r. o.**  
U Vodárny 1506  
397 01 Písek / CZ

T +420 382 2067 - 25  
E [sales@titgemeyer.com](mailto:sales@titgemeyer.com)  
W [titgemeyercz.cz](http://titgemeyercz.cz)

**Titgemeyer Polska sp. z o.o.**  
Cypriana Bazylika 17  
98-200 Sieradz / PL

T +48 (0) 43 828 20 - 15  
E [sales@titgemeyer.com](mailto:sales@titgemeyer.com)  
W [titgemeyer.pl](http://titgemeyer.pl)

**Titgemeyer Skandinavien A/S**  
Lunikvej 32  
2670 Greve / DK

T +45 4360 0966  
E [info@titgemeyer.dk](mailto:info@titgemeyer.dk)  
W [titgemeyer.dk](http://titgemeyer.dk)

**Titgemeyer Skandinavien A/S**  
Box 3218  
550 03 Jönköping / SE

T +46 36 128350  
E [info@titgemeyer.se](mailto:info@titgemeyer.se)  
W [titgemeyer.se](http://titgemeyer.se)

**Titgemeyer Turkey Baglanti Teknolojileri San. ve Tic. A.S.**  
Barbaros Mah. Is Merkezi No.1  
Kat: 8 D.58  
34746 Atasehir, Istanbul / TR

T +90 (0) 21 66 88 20 - 27  
E [sales@titgemeyer.com.tr](mailto:sales@titgemeyer.com.tr)  
W [titgemeyer.com.tr](http://titgemeyer.com.tr)

**Titgemeyer (UK) Limited**  
A2 Link One Industrial Park  
George Henry Road  
DY4 7BU Tipton / UK

T +44 (0) 1 21 5 57 97 - 77  
E [sales@titgemeyer.co.uk](mailto:sales@titgemeyer.co.uk)  
W [titgemeyer.co.uk](http://titgemeyer.co.uk)

### Production locations

**Baker & Finnemore Limited**  
199 Newhall Street  
Birmingham, B3 1SN / UK

T +44 121 23 62 - 347  
E [info@bakfin.com](mailto:info@bakfin.com)  
W [bakfin.com](http://bakfin.com)

**Titgemeyer GmbH & Co. KG  
Werk Lotte**  
Daimlerstraße 13 - 15  
49504 Lotte / DE

T +49 5404 9666 - 0  
E [info@titgemeyer.com](mailto:info@titgemeyer.com)  
W [titgemeyer.com](http://titgemeyer.com)

**RIEKO GmbH**  
Robert-Bosch-Straße 9  
72124 Pliezhausen / DE

T +49 7127 9744 - 0  
E [info@rieko-web.com](mailto:info@rieko-web.com)  
W [rieko-web.com](http://rieko-web.com)

**Titgemeyer Tools & Automation  
spol s.r.o.**  
U Vodárny 1506  
397 01 Písek / CZ

T +42 382 2067 - 11  
E [info@rivetec.cz](mailto:info@rivetec.cz)  
W [rivetec.cz](http://rivetec.cz)

**TS Gesellschaft für Transport- und  
Sicherungssysteme mbH**  
Haßlinghauser Straße 156  
58285 Gevelsberg / DE

T +49 541 5822 - 900  
E [ts@cargocontrol.de](mailto:ts@cargocontrol.de)  
W [wir-sind-ladungssicherung.de](http://wir-sind-ladungssicherung.de)