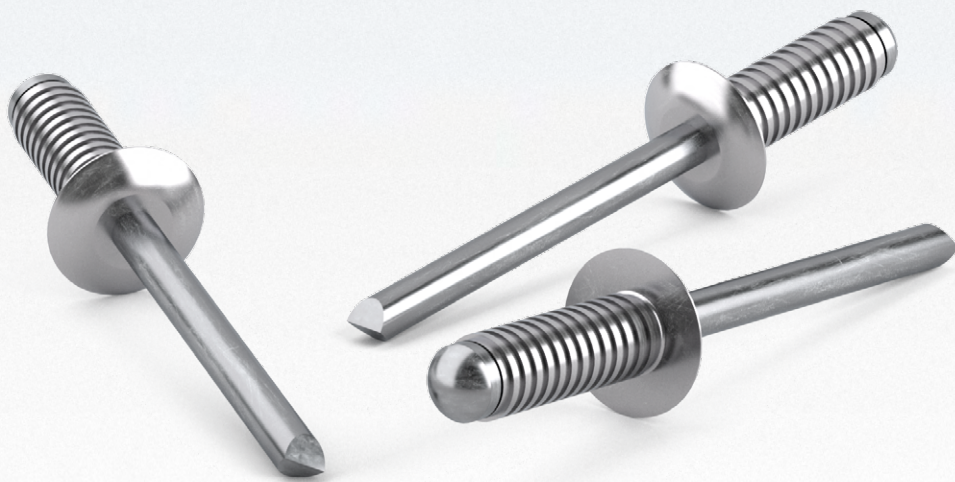


Fastening Technology / Blind Rivets

TIFAS[®] Grooved Blind Rivets



Contents

Page

TIFAS® Grooved Blind Rivets	Overview		5
	Dome head	Aluminium / steel	6

TIFAS®

Grooved Blind Rivets



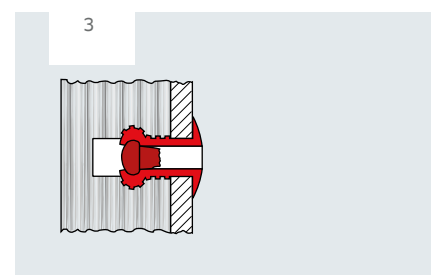
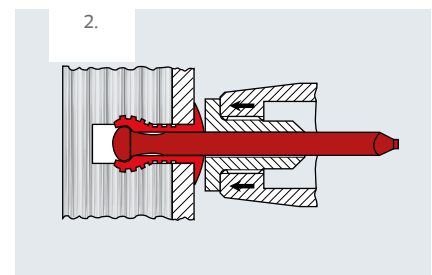
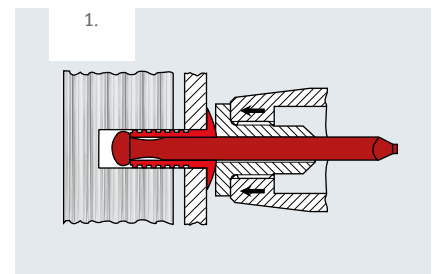
TIFAS® Grooved blind rivets are especially designed for blind hole applications in soft materials and for installation in wood and plastic materials. They are used in the furniture industry, interior decorating, the timber and plastics industries, vehicle body construction, and much more. The annular rings on the blind rivet surface bite into the material around the drilled hole to form a flush finish. Important: Prior to installation, tests must be run to calculate the bore diameter and minimum bore depth.

Sample applications:

- General industry
- Timber / furniture industries
- Automotive industry
- Construction industry
- Bodywork and vehicle manufacture

Benefits at a glance

- Ideal for blind side holes
- Universal use
- Very suited for fixing components to timber
- Joins a variety of materials, such as metal and plastic/wood
- Can be used on soft materials, such as wood & plastic
- Quick and secure installation
- Multi-range properties - covers numerous areas of material strength
- Permanent secure fixing
- Heatless installation means component will not warp
- Eliminates extensive refinishing
- Ideally suited for lightweight and timber constructions

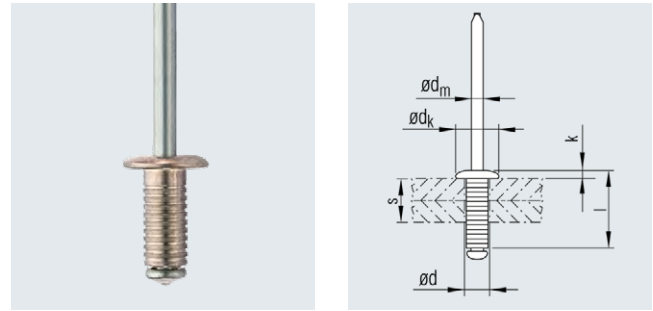


TIFAS® Grooved Blind Rivets

Dome Head

Material

■ Sleeve: Aluminum AlMg 2.5
■ Mandrel: Steel, galvanised



Nominal \varnothing d [mm]	Bore \varnothing [mm]	Blind sleeve $l \pm 1 - 0.2$ [mm]	Blind rivet head \varnothing $dk \pm 0.2/-0.5$ [mm]	Height $k \pm 0.2/-0.4$ [mm]	Mandrel \varnothing dm nom. [mm]	Article No.
3.2	3.4	10.0	6.3	1.0	1.8	424 600 906
		14.0	6.3	1.0	1.8	424 601 906
4.0	4.3	8.0	8.0	1.3	2.2	424 605 906
		10.0	8.0	1.3	2.2	424 606 906
		12.0	8.0	1.3	2.2	424 607 906
		16.0	8.0	1.3	2.2	424 608 906
4.8	5.1	8.0	9.5	1.4	2.7	424 610 906
		10.0	9.5	1.4	2.7	424 611 906
		11.0	9.5	1.4	2.7	424 612 906
		12.0	9.5	1.4	2.7	424 613 906
		14.0	9.5	1.4	2.7	424 614 906
		16.0	9.5	1.4	2.7	424 615 906
		18.0	9.5	1.4	2.7	424 616 906
		20.0	9.5	1.4	2.7	424 617 906
		25.0	9.5	1.4	2.7	424 618 906
		30.0	9.5	1.4	2.7	424 619 906

* Strengths at break relate to rivet failure.

Other designs available on request.

Copyright

All texts, images, technical documents and other information contained in this catalogue are subject to copyright held by Titgemeyer GmbH & Co. KG. Any reproduction or disclosure, whether as a copy or other form of duplication or use, is expressly prohibited without the prior consent of Titgemeyer GmbH & Co. KG.

Registered trademarks

The trademarks BÖRTI, GETO, GETO therm, GETOVAN, GTO, LockBolt, MEGA PORT, plasti van, PLYFIX, POLYSTIC, press-ti, RIEKO, RIV-TI, ROLL-TO, TIBOLT, TIBULB, TIFAS, TILA, TIOS and Titgemeyer are registered trademarks and the intellectual property of Titgemeyer GmbH & Co. KG.

Term of Delivery and Payment

All deliveries are carried out in compliance with our Terms of Delivery and Payment.

Limitation of liability

All technical data, performance descriptions, drawings, illustrations, measurements, weights or any other performance data, recommendations and guidelines contained in this catalogue and relating to the installation of parts that we supply are only binding if so expressly agreed. Moreover, the user is obliged at all times to check each individual use and decide whether the components that we supply can be used as needed.

We accept liability in the case of wilful intent, gross negligence and infringement of cardinal contractual duties as well as for errors in respect of express or implied representations. Notwithstanding this, any claims for compensation not explicitly agreed to in these terms and conditions are hereby excluded in the case of customers who are not consumers and, in the case of such customers, who are not consumers, at all events limited to the damage foreseeable at the time of concluding the contract as well as to the value of the delivered consignment. To the extent that our liability is excluded or limited, this shall extend accordingly to the personal liability of employees, legal representatives and vicarious agents. In all instances of gross negligence committed by vicarious agents, we shall solely be liable to customers, who are not consumers, to compensate for typically foreseeable damage. The statutory regulation governing the burden of proof shall remain unaffected. The aforementioned limitation of liability shall not apply to claims resulting from product liability, for damage resulting from injury to life, limb or health, or for damage to privately used property.

All technical specifications contained in this brochure are approximate and no guarantee is given as to their accuracy. Designs are subject to change.

About us

Titgemeyer Group is a leading fastening technology and transport technology group of companies with 15 sites across Europe. Steeped in tradition, the company develops, manufactures and sells more than 30,000 fastening elements, tools and vehicle components – in series and to customer specification.

Headquarters

Titgemeyer GmbH & Co. KG
Hannoversche Straße 97
49084 Osnabrück / DE

POB 4320
49033 Osnabrück / DE

T +49 541 5822-0
E info@titgemeyer.com
W titgemeyer.com



Sales locations

Gebr. Titgemeyer GmbH
Brunner Straße 77 - 79
1230 Wien / AT

T +43 (0) 1/6 67 90 40 - 0
E sales@titgemeyer.com
W titgemeyer.at

Titgemeyer CZ spol. s r. o.
U Vodárny 1506
397 01 Písek / CZ

T +420 382 2067 - 25
E sales@titgemeyer.com
W titgemeyercz.cz

Titgemeyer Polska sp. z o.o.
Cypriana Bazylika 17
98-200 Sieradz / PL

T +48 (0) 43 828 20 - 15
E sales@titgemeyer.com
W titgemeyer.pl

Titgemeyer Skandinavien A/S
Lunikvej 32
2670 Greve / DK

T +45 4360 0966
E info@titgemeyer.dk
W titgemeyer.dk

Titgemeyer Skandinavien A/S
Box 3218
550 03 Jönköping / SE

T +46 36 128350
E info@titgemeyer.se
W titgemeyer.se

Titgemeyer Turkey Baglanti Teknolojileri San. ve Tic. A.S.
Barbaros Mah. Is Merkezi No.1
Kat: 8 D.58
34746 Atasehir, Istanbul / TR

T +90 (0) 21 66 88 20 - 27
E sales@titgemeyer.com.tr
W titgemeyer.com.tr

Titgemeyer (UK) Limited
A2 Link One Industrial Park
George Henry Road
DY4 7BU Tipton / UK

T +44 (0) 1 21 5 57 97 - 77
E sales@titgemeyer.co.uk
W titgemeyer.co.uk

Production locations

Baker & Finnemore Limited
199 Newhall Street
Birmingham, B3 1SN / UK

T +44 121 23 62 - 347
E info@bakfin.com
W bakfin.com

**Titgemeyer GmbH & Co. KG
Werk Lotte**
Daimlerstraße 13 - 15
49504 Lotte / DE

T +49 5404 9666 - 0
E info@titgemeyer.com
W titgemeyer.com

RIEKO GmbH
Robert-Bosch-Straße 9
72124 Pliezhausen / DE

T +49 7127 9744 - 0
E info@rieko-web.com
W rieko-web.com

**Titgemeyer Tools & Automation
spol s.r.o.**
U Vodárny 1506
397 01 Písek / CZ

T +42 382 2067 - 11
E info@rivetec.cz
W rivetec.cz

**TS Gesellschaft für Transport- und
Sicherungssysteme mbH**
Haßlinghauser Straße 156
58285 Gevelsberg / DE

T +49 541 5822 - 900
E ts@cargocontrol.de
W wir-sind-ladungssicherung.de