

Fastening Technology / Blind Rivets

# TIFAS<sup>®</sup> M-Lock Blind Rivets





# Contents

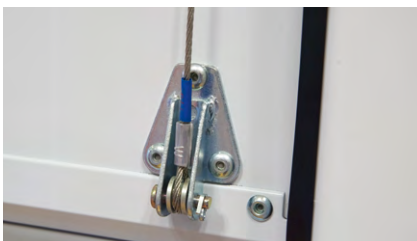
			Page
TIFAS® M-Lock blind rivets	Overview		5
	Truss head	Steel/steel	6
	Countersunk 100°	Steel/steel	7
	Truss head	Aluminium/aluminium	8
	Countersunk 100°	Aluminium/aluminium	9
	Truss head	Stainless steel A2/Stainless steel A2	10
	Countersunk 100°	Stainless steel A2/Stainless steel A2	11
	Truss head	Stainless steel A4/stainless steel A4	12
	Countersunk 100°	Stainless steel A4/stainless steel A4	13



# TIFAS® M-Lock blind rivets



A high-strength blind rivet that remains snug even under dynamic load. Holes can be prepared to ensure joints are water and airtight. The mandrel always breaks flush, even when materials of varying strengths and thicknesses are present within the grip range. The blind side footprint is minimal. The gripping area is large. Also available in A4 stainless steel.

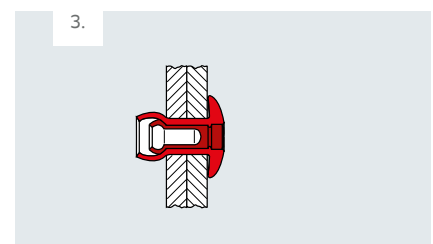
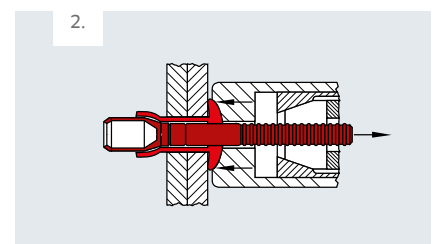
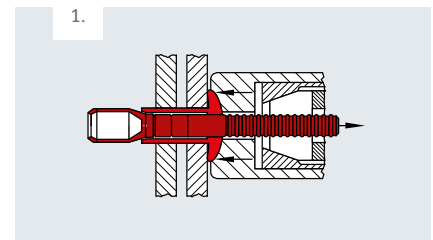


## Applications

- General industry
- Automotive industry
- Construction industry
- Bodywork and vehicle manufacture

## Benefits at a glance

- Universal use
- The mandrel draws itself into the sleeve, causing the sleeve to widen and completely fill the bore hole; ideal for dynamic loads.
- Mandrel always breaks off flush at the snap head
- Large grip range
- The securely fitting mandrel makes for vibration-resistant applications
- Combines various materials such as metals and plastics
- Quick and secure installation
- Permanent secure fixing
- Heatless installation means component will not warp.
- Eliminates extensive refinishing



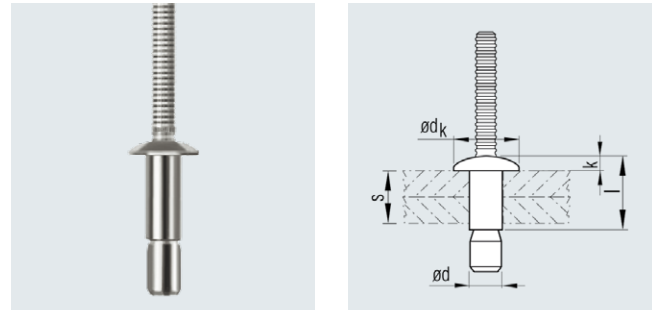
# TIFAS® M-Lock blind rivets

## Truss head

### Material

**Sleeve**  
Steel SAE 1006/1020M,  
galvanised, passivated

**Mandrel**  
Steel AISI 10B21,  
galvanised, passivated



Nominal $\varnothing$ d [mm]	Bore $\varnothing$ [mm]	Grip range s [mm]	Blind sleeve l $\pm 0.3$ [mm]	Blind rivet head		Nominal strength at break*		Article No.
				$\varnothing$ dk $\pm 0.4$ [mm]	Height k $\pm 0.3$ [mm]	Shear N	Tensile N	
4.8	4.9 - 5.1	1.6 - 6.9	10.5	9.8	2.1	5780	4440	415 810 001
		5.4 - 11.1	14.5	9.8	2.1	5780	4440	415 811 001
		1.6 - 11.1	14.5	9.8	2.1	5780	4440	415 812 001
6.4	6.6 - 6.9	2.0 - 9.5	14.2	13.0	2.8	10790	8220	415 820 001
		8.9 - 15.9	20.5	13.0	2.8	10790	8220	415 821 002
		2.0 - 15.9	20.5	13.0	2.8	10790	8220	415 822 001

\* Strengths at break relate to rivet failure.

Other designs available on request.

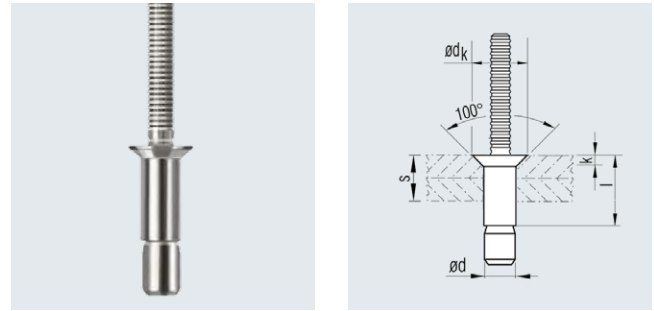
# TIFAS® M-Lock blind rivets

## Countersunk 100°

### Material

Sleeve  
Steel SAE 1006/1020M,  
galvanised, passivated

Mandrel  
Steel AISI 10B21,  
galvanised, passivated



Nominal $\varnothing$ d [mm]	Bore $\varnothing$ [mm]	Grip range s [mm]	Blind sleeve l $\pm 0.3$ [mm]	Blind rivet head		Nominal strength at break*		Article No.
				$\varnothing$ dk $\pm 0.3$ [mm]	Height k $\pm 0.3$ [mm]	Shear N	Tensile N	
4.8	4.9 - 5.1	3.2 - 8.4	12.3	8.6	1.8	5780	4220	415 850 001
		7.8 - 12.7	16.6	8.6	1.8	5780	4220	415 851 001
6.4	6.6 - 6.9	4.1 - 12.1	16.7	10.0	2.0	11280	8900	415 860 001
		10.5 - 18.4	23.0	10.0	2.0	11280	8900	415 861 001

\* Strengths at break relate to rivet failure.

Other designs available on request.

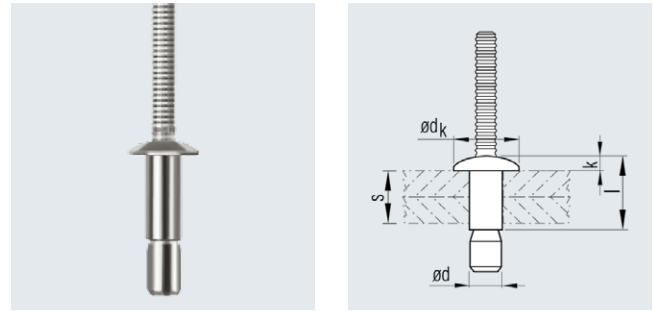
# TIFAS® M-Lock blind rivets

## Truss head

### Material

Sleeve  
Aluminium AA 5056,

Mandrel  
Aluminium AA 7075,



Nominal $\varnothing$ d [mm]	Bore $\varnothing$ [mm]	Grip range s [mm]	Blind sleeve l $\pm 0.3$ [mm]	Blind rivet head		Nominal strength at break*		Article No.
				$\varnothing$ dk $\pm 0.4$ [mm]	Height k $\pm 0.3$ [mm]	Shear N	Tensile N	
4.8	4.9 - 5.1	1.6 - 6.9	10.5	9.8	2.1	2690	2220	415 830 001
		5.4 - 11.1	14.5	9.8	2.1	2690	2220	415 831 001
		1.6 - 11.1	14.5	9.8	2.1	2690	2220	415 832 001
6.4	6.6 - 6.9	2.0 - 9.5	14.2	13	2.8	5780	3900	415 840 001
		8.9 - 15.9	20.5	13	2.8	5780	3900	415 841 901
		2.0 - 15.9	20.5	13	2.8	5780	3900	415 842 001

\* Strengths at break relate to rivet failure.

Other designs available on request.



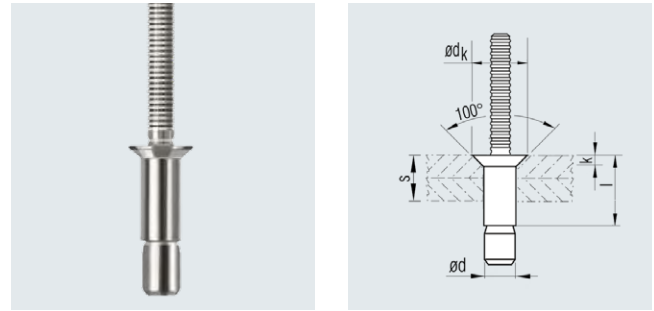
# TIFAS® M-Lock blind rivets

## Countersunk 100°

### Material

Sleeve  
Aluminium AA 5056,

Mandrel  
Aluminium AA 7075,



Nominal $\varnothing$ d [mm]	Bore $\varnothing$ [mm]	Grip range s [mm]	Blind sleeve l $\pm 0.3$ [mm]	Blind rivet head		Nominal strength at break*		Article No.
				$\varnothing$ dk $\pm 0.3$ [mm]	Height k $\pm 0.3$ [mm]	Shear N	Tensile N	
4.8	4.9 - 5.1	3.2 - 8.4	12.3	8.5	1.8	3110	2220	415 870 901
		7.8 - 12.7	16.6	8.5	1.8	3110	2220	415 871 901
6.4	6.6 - 6.9	4.1 - 12.1	16.7	10.0	2.0	5780	3950	415 880 901
		10.5 - 18.4	23.0	10.0	2.0	5780	3950	415 881 901

\* Strengths at break relate to rivet failure.

Other designs available on request.

# TIFAS® M-Lock blind rivets

## Truss head

### Material

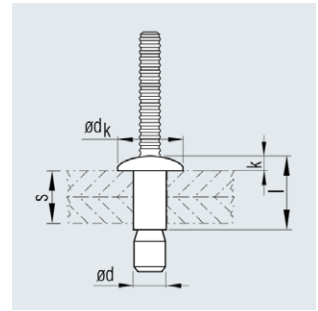
Sleeve

Stainless steel AISI 304CU,  
passivated



Mandrel

Stainless steel AISI 304  
passivated



Nominal $\varnothing$ d [mm]	Bore $\varnothing$ [mm]	Grip range s [mm]	Blind sleeve l $\pm 0.3$ [mm]	Blind rivet head $\varnothing$ dk $\pm 0.4$ [mm]	Height k $\pm 0.3$ [mm]	Nominal strength at break*		Article No.
						Shear N	Tensile N	
4.8	4.9 - 5.1	1.6 - 6.9	10.5	9.8	2.1	5780	4200	415 910 001
		5.4 - 11.1	14.5	9.8	2.1	5780	4200	415 911 001
6.4	6.6 - 6.9	2.0 - 9.5	14.2	13.0	2.8	11100	8800	415 920 001
		8.9 - 15.9	20.5	13.0	2.8	11100	8800	415 921 001

\* Strengths at break relate to rivet failure.

Other designs available on request.

# TIFAS® M-Lock blind rivets

## Countersunk 100°

### Material

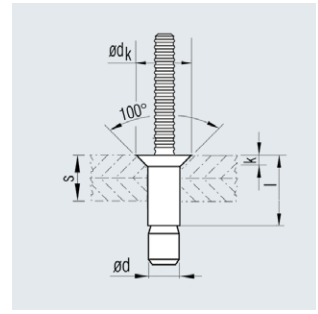
Sleeve

Stainless steel AISI 302/304,  
passivated



Mandrel

Stainless steel AISI 305/304



Nominal $\varnothing$ d [mm]	Bore $\varnothing$ [mm]	Grip range s [mm]	Blind sleeve l $\pm 0.3$ [mm]	Blind rivet head		Nominal strength at break*		Article No.
				$\varnothing$ dk $\pm 0.3$ [mm]	Height k $\pm 0.3$ [mm]	Shear N	Tensile N	
4.8	4.9 - 5.1	3.2 - 8.4	12.3	8.6	1.8	5780	4210	415 950 001
		7.8 - 12.7	16.5	8.6	1.8	5780	4210	415 951 001
6.4	6.6 - 6.9	4.1 - 12.1	16.7	10.0	2.0	11120	8890	415 960 001
		10.6 - 18.4	23.0	10.0	2.0	11120	8890	415 961 001

\* Strengths at break relate to rivet failure.

Other designs available on request.

# TIFAS® M-Lock blind rivets

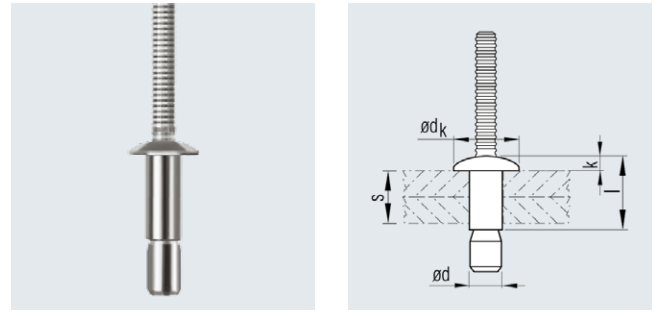
## Truss head

### Material

Sleeve  
Stainless steel A4



Mandrel  
Stainless steel A4



Nominal $\varnothing$ $d$ [mm]	Bore $\varnothing$ [mm]	Grip range $s$ [mm]	Blind sleeve $l \pm 0.3$ [mm]	Blind rivet head		Nominal strength at break*		Article No.
				$\varnothing$ $d_k \pm 0.3$ [mm]	Height $k \pm 0.3$ [mm]	Shear N	Tensile N	
4.8	4.9 - 5.1	1.6 - 6.9	10.5	9.8	2.1	5780	4200	415 970 000
		5.4 - 11.1	14.5	9.8	2.1	5780	4440	415 971 000
		1.6 - 11.1	14.5	9.8	2.1	5780	4440	415 972 000
6.4	6.6 - 6.9	2.0 - 9.5	14.2	13.0	2.8	10790	8220	415 975 000
		8.9 - 15.9	20.5	13.0	2.8	10790	8220	415 976 000
		2.0 - 15.9	20.5	13.0	2.8	10790	8220	415 977 000

\* Strengths at break relate to rivet failure.

Other designs available on request.

# TIFAS® M-Lock blind rivets

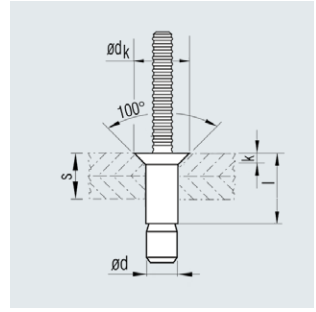
## Countersunk 100°

### Material

Sleeve  
Stainless steel A4



Mandrel  
Stainless steel A4



Nominal $\varnothing$ d [mm]	Bore $\varnothing$ [mm]	Grip range s [mm]	Blind sleeve l +1.0 -0.2 [mm]	Blind rivet head $\varnothing$ dk $\pm 0.3$ [mm]	Height k $\pm 0.3$ [mm]	Nominal strength at break*		Article No.
						Shear N	Tensile N	
4.8	4.9 - 5.1	3.2 - 8.4	12.3	8.6	1.8	6200	4700	415 980 000
		7.8 - 12.7	16.6	8.6	1.8	6200	4700	415 981 000
6.4	6.6 - 6.9	4.1 - 12.1	16.7	10.0	2.0	11700	8900	415 985 000
		10.5 - 18.4	23.0	10.0	2.0	11700	8900	415 986 000

\* Strengths at break relate to rivet failure.

Other designs available on request.

# Notes

A large grid area for taking notes, consisting of 30 columns and 40 rows of small squares.

**Copyright**

All texts, images, technical documents and other information contained in this catalogue are subject to copyright held by Titgemeyer GmbH & Co. KG. Any reproduction or disclosure, whether as a copy or other form of duplication or use, is expressly prohibited without the prior consent of Titgemeyer GmbH & Co. KG.

**Registered trademarks**

The trademarks BÖRTI, GETO, GETO therm, GETOVAN, GTO, LockBolt, MEGA PORT, plasti van, PLYFIX, POLYSTIC, press-ti, RIEKO, RIV-TI, ROLL-TO, TIBOLT, TIBULB, TIFAS, TILA, TIOS and Titgemeyer are registered trademarks and the intellectual property of Titgemeyer GmbH & Co. KG.

**Term of Delivery and Payment**

All deliveries are carried out in compliance with our Terms of Delivery and Payment.

**Limitation of liability**

All technical data, performance descriptions, drawings, illustrations, measurements, weights or any other performance data, recommendations and guidelines contained in this catalogue and relating to the installation of parts that we supply are only binding if so expressly agreed. Moreover, the user is obliged at all times to check each individual use and decide whether the components that we supply can be used as needed.

We accept liability in the case of wilful intent, gross negligence and infringement of cardinal contractual duties as well as for errors in respect of express or implied representations. Notwithstanding this, any claims for compensation not explicitly agreed to in these terms and conditions are hereby excluded in the case of customers who are not consumers and, in the case of such customers, who are not consumers, at all events limited to the damage foreseeable at the time of concluding the contract as well as to the value of the delivered consignment. To the extent that our liability is excluded or limited, this shall extend accordingly to the personal liability of employees, legal representatives and vicarious agents. In all instances of gross negligence committed by vicarious agents, we shall solely be liable to customers, who are not consumers, to compensate for typically foreseeable damage. The statutory regulation governing the burden of proof shall remain unaffected. The aforementioned limitation of liability shall not apply to claims resulting from product liability, for damage resulting from injury to life, limb or health, or for damage to privately used property.

**All technical specifications contained in this brochure are approximate and no guarantee is given as to their accuracy. Designs are subject to change.**

## About us

Titgemeyer Group is a leading fastening technology and transport technology group of companies with 15 sites across Europe. Steeped in tradition, the company develops, manufactures and sells more than 30,000 fastening elements, tools and vehicle components – in series and to customer specification.

### Headquarters

**Titgemeyer GmbH & Co. KG**  
Hannoversche Straße 97  
49084 Osnabrück / DE

POB 4320  
49033 Osnabrück / DE

T +49 541 5822-0  
E [info@titgemeyer.com](mailto:info@titgemeyer.com)  
W [titgemeyer.com](http://titgemeyer.com)



### Sales locations

**Gebr. Titgemeyer GmbH**  
Brunner Straße 77 - 79  
1230 Wien / AT

T +43 (0) 1/6 67 90 40 - 0  
E [sales@titgemeyer.com](mailto:sales@titgemeyer.com)  
W [titgemeyer.at](http://titgemeyer.at)

**Titgemeyer CZ spol. s r. o.**  
U Vodárny 1506  
397 01 Písek / CZ

T +420 382 2067 - 25  
E [sales@titgemeyer.com](mailto:sales@titgemeyer.com)  
W [titgemeyercz.cz](http://titgemeyercz.cz)

**Titgemeyer Polska sp. z o.o.**  
Cypriana Bazylika 17  
98-200 Sieradz / PL

T +48 (0) 43 828 20 - 15  
E [sales@titgemeyer.com](mailto:sales@titgemeyer.com)  
W [titgemeyer.pl](http://titgemeyer.pl)

**Titgemeyer Skandinavien A/S**  
Lunikvej 32  
2670 Greve / DK

T +45 4360 0966  
E [info@titgemeyer.dk](mailto:info@titgemeyer.dk)  
W [titgemeyer.dk](http://titgemeyer.dk)

**Titgemeyer Skandinavien A/S**  
Box 3218  
550 03 Jönköping / SE

T +46 36 128350  
E [info@titgemeyer.se](mailto:info@titgemeyer.se)  
W [titgemeyer.se](http://titgemeyer.se)

**Titgemeyer Turkey Baglanti  
Teknolojileri San. ve Tic. A.S.**  
Barbaros Mah. Is Merkezi No.1  
Kat: 8 D.58

34746 Atasehir, Istanbul / TR  
T +90 (0) 21 66 88 20 - 27  
E [sales@titgemeyer.com.tr](mailto:sales@titgemeyer.com.tr)  
W [titgemeyer.com.tr](http://titgemeyer.com.tr)

**Titgemeyer (UK) Limited**  
A2 Link One Industrial Park  
George Henry Road  
DY4 7BU Tipton / UK

T +44 (0) 1 21 5 57 97 - 77  
E [sales@titgemeyer.co.uk](mailto:sales@titgemeyer.co.uk)  
W [titgemeyer.co.uk](http://titgemeyer.co.uk)

### Production locations

**Baker & Finmore Limited**  
199 Newhall Street  
Birmingham, B3 1SN / UK

T +44 121 23 62 - 347  
E [info@bakfin.com](mailto:info@bakfin.com)  
W [bakfin.com](http://bakfin.com)

**Titgemeyer GmbH & Co. KG  
Werk Lotte**  
Daimlerstraße 13 - 15  
49504 Lotte / DE

T +49 5404 9666 - 0  
E [info@titgemeyer.com](mailto:info@titgemeyer.com)  
W [titgemeyer.com](http://titgemeyer.com)

**RIEKO GmbH**  
Robert-Bosch-Straße 9  
72124 Pliezhausen / DE

T +49 7127 9744 - 0  
E [info@rieko-web.com](mailto:info@rieko-web.com)  
W [rieko-web.com](http://rieko-web.com)

**Titgemeyer Tools & Automation  
spol s.r.o.**  
U Vodárny 1506  
397 01 Písek / CZ

T +42 382 2067 - 11  
E [info@rivetec.cz](mailto:info@rivetec.cz)  
W [rivetec.cz](http://rivetec.cz)

**TS Gesellschaft für Transport- und  
Sicherheitssysteme mbH**  
Haßlinghauser Straße 156  
58285 Gevelsberg / DE

T +49 541 5822 - 900  
E [ts@cargocontrol.de](mailto:ts@cargocontrol.de)  
W [wir-sind-ladungssicherung.de](http://wir-sind-ladungssicherung.de)