

Fastening Technology / Blind Rivets

TIBULB[®] Blind Rivets



Contents

			Page
TIBULB® blind rivets	Overview		4
	Truss head	Steel/steel	6
	Large truss head	Steel/steel	7
	Countersunk 100°	Steel/steel	8
	Truss head	Aluminium/aluminium	9
	Countersunk 100°	Aluminium/aluminium	10
	Truss head	Stainless steel A2/stainless steel A2	11
	Countersunk 100°	Stainless steel A2/stainless steel A2	12
	Truss head	Stainless steel A4/stainless steel A4	13
	Large truss head	Stainless steel A4/stainless steel A4	14
	Countersunk 100°	Stainless steel A4/stainless steel A4	15
TIBULB® Plus blind rivets	Truss head, large grip range	Steel/steel	16
	Large truss head, large grip range	Steel/steel	17

TIBULB® blind rivets



TIBULB® fasteners are high-strength blind rivets with a large blind side footprint designed for industrial use. They are typically used in truck and trailer construction, bus and carriage construction, tool building and mechanical engineering as well as other areas where high-strength, reliable fastener systems are required.

The outstanding features of TIBULB® blind rivets are their double-locking system and the securely fitting mandrel. The large footprint makes them especially ideal for use on thin sheeting. They offer very high shear and tensile strengths as a result of the high-strength supporting mandrel. The spent mandrel is always securely retained.



TIBULB® A4 stainless steel blind rivets

In keeping with the trend towards increasingly better-quality materials and finishes, TIBULB® blind rivets are now available in A4 stainless steel. Although this version is especially used in plant and container construction, they are also put to use in marine applications, in shipyards, or in areas of power stations where safety is a major concern.

Benefits at a glance

- Securely fitted mandrel for extremely high shear and tensile strength
- Vibration resistant
- Large blind side footprint, especially suited to thinner materials
- Dustproof and splashproof
- Dual mandrel retention
- High clamp force
- The spent mandrel is securely retained and rattle-free
- Universal use
- Combines various materials such as metals and plastics
- Quick and secure installation
- Permanent secure fixing
- Heatless installation means component will not warp
- Eliminates extensive refinishing

Delivery types

Head type:	truss head
	large truss head
	countersunk
Material:	steel
	aluminium
	A2 stainless steel
	A4 stainless steel

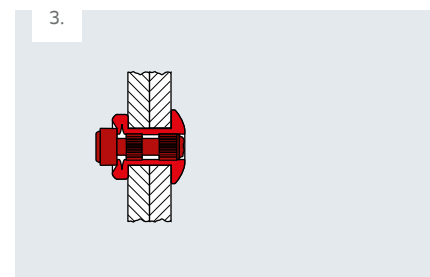
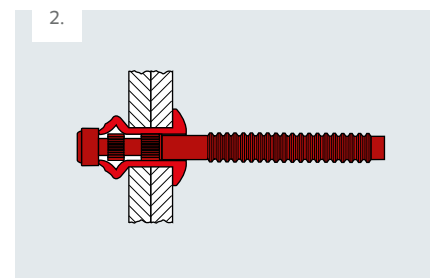
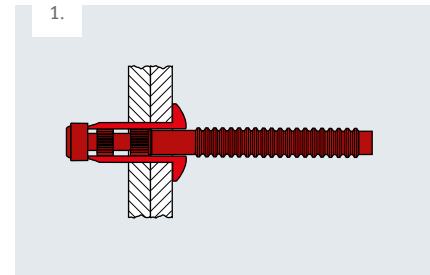
Sample applications

The areas of application and therefore the demand for TIBULB® blind rivets have grown steadily over the past years. This is because the demands that industry places on quality and workmanship have risen in equal measure.

- Marine applications (onshore & offshore, coupled with TIFAS cup-type and M-Lock blind rivets)
- Power stations (coupled with TIFAS® cup-type and M-Lock blind rivets)
- Food industry
- Pharmaceutical industry
- General industry
- Steel construction and mechanical engineering
- Automotive industry
- Tank and apparatus construction
- Bodywork and vehicle manufacture
- Construction industry

Installation

For best installation results with TIBULB® blind rivets, we recommend using the RL60 IHV rivet installation tool (Further details available in Tool Catalogue 10056)

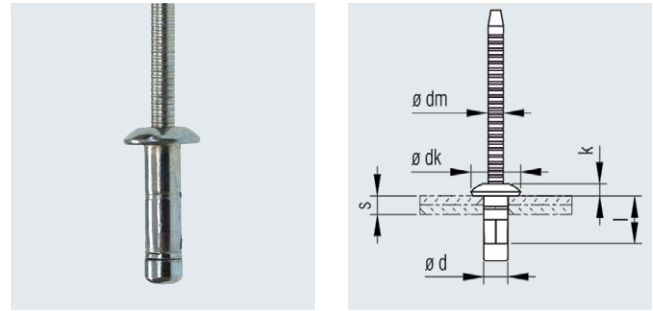


TIBULB® blind rivets

Truss head

Material

Sleeve: Steel SAE 1006, galvanised, passivated
 Mandrel: Steel SAE 1015/1022, galvanised, passivated



Nominal \varnothing d [mm]	Bore \varnothing [mm]	Grip range s [mm]	Blind sleeve l ± 0.3 [mm]	Blind rivet head		Mandrel \varnothing dm nom. [mm]	Nominal strength at break*		Article No.
				\varnothing dk ± 0.3 [mm]	Height k ± 0.2 [mm]		Shear [N]	Tensile [N]	
4.8	4.9 - 5.1	1.5 - 3.5	9.0	9.8	2.2	3.0	4500	3500	413 010 900
		3.5 - 6.0	11.5	9.8	2.2	3.0	5980	3500	413 011 900
		6.0 - 8.5	14.0	9.8	2.2	3.0	6270	3500	413 012 900
		8.5 - 11.0	16.5	9.8	2.2	3.0	6270	3500	413 013 900
		11.0 - 13.5	19.0	9.8	2.2	3.0	6270	3500	413 014 900
6.4	6.6 - 6.7	1.5 - 3.5	9.0	13.0	3.0	4.2	6860	6475	413 019 900
		2.8 - 4.8	10.5	13.0	3.0	4.2	9220	6475	413 020 900
		3.4 - 5.4	11.1	13.0	3.0	4.2	9220	6475	413 018 900
		4.8 - 6.8	12.5	13.0	3.0	4.2	10200	6475	413 021 900
		6.8 - 8.8	14.5	13.0	3.0	4.2	11100	6475	413 022 900
		8.8 - 10.8	16.5	13.0	3.0	4.2	11100	6475	413 023 900
		10.8 - 12.8	18.5	13.0	3.0	4.2	11100	6475	413 024 900
		12.8 - 14.8	20.5	13.0	3.0	4.2	11100	6475	413 025 900
		14.8 - 16.8	22.5	13.0	3.0	4.2	11100	6475	413 026 001
		16.8 - 18.8	24.5	13.0	3.0	4.2	11100	6475	413 027 900
		18.8 - 20.8	26.5	13.0	3.0	4.2	11100	6475	413 028 900
22.8 - 24.8	30.5	13.0	3.0	4.2	11100	6475	413 029 900		
7.8	8.0 - 8.3	4.0 - 7.0	13.5	16.0**	3.7***	5.1	13800	9120	413 080 900
		7.0 - 10.0	16.5	16.0**	3.7***	5.1	15650	9120	413 081 900
		10.0 - 13.0	19.5	16.0**	3.7***	5.1	15650	9120	413 082 900
		13.0 - 16.0	22.5	16.0**	3.7***	5.1	15650	9120	413 084 900

* Strengths at break relate to rivet failure

** Tolerance: $\pm 0,4$

*** Tolerance: $\pm 0,3$

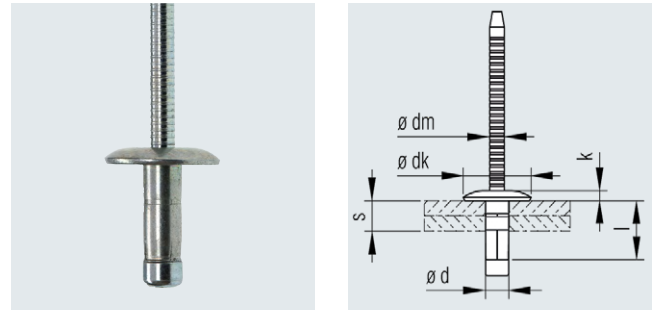
Other designs available on request.

TIBULB® blind rivets

Large truss head

Material

Sleeve: Steel SAE 1006, galvanised, passivated
Mandrel: Steel SAE 1015/1022, galvanised, passivated



Nominal \varnothing d [mm]	Bore \varnothing [mm]	Grip range s [mm]	Blind sleeve l ± 0.3 [mm]	Blind rivet head		Mandrel \varnothing dm nom. [mm]	Nominal strength at break*		Article No.
				\varnothing dk ± 0.3 [mm]	Height k ± 0.2 [mm]		Shear [N]	Tensile [N]	
4.8	4.9 - 5.1	3.5 - 6.0	11.5	14.0	2.0	3.0	5590	3500	413 037 900
6.4	6.6 - 6.7	6.8 - 8.8	14.5	19.0**	3.0***	4.2	11100	6475	413 043 900
		8.8 - 10.8	16.5	19.0**	3.0***	4.2	11100	6475	413 044 900

* Strengths at break relate to rivet failure

** Tolerance: ± 0.4

*** Tolerance: ± 0.3

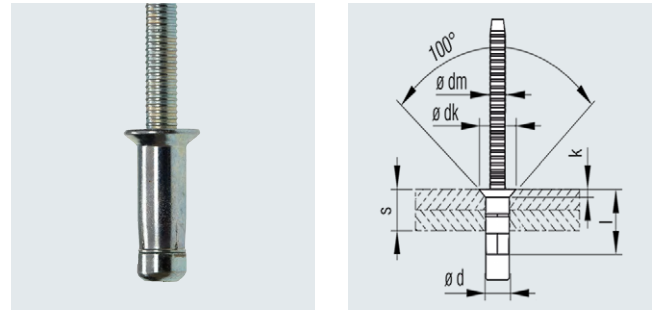
Other designs available on request.

TIBULB® blind rivets

Countersunk 100°

Material

<p>Sleeve: Steel SAE 1006, galvanised, passivated</p>	<p>Mandrel: Steel SAE 1015/1022, galvanised, passivated</p>
--	--



Nominal \varnothing d [mm]	Bore \varnothing [mm]	Grip range s [mm]	Blind sleeve l ± 0.3 [mm]	Blind rivet head		Mandrel \varnothing dm nom. [mm]	Nominal strength at break*		Article No.
				\varnothing dk ± 0.3 [mm]	Height k ± 0.2 [mm]		Shear [N]	Tensile [N]	
6.4	6.6 - 6.7	3.8 - 5.8	11.5	10.0	2.0	4.2	5390	5400	413 220 900
		5.7 - 7.8	13.5	10.0	2.0	4.2	7350	5400	413 058 900
		7.8 - 9.5	15.5	10.0	2.0	4.2	9300	5400	413 222 900
		9.8 - 11.8	17.5	10.0	2.0	4.2	10300	5400	413 223 900
		11.8 - 13.8	19.5	10.0	2.0	4.2	10300	5400	413 225 900

* Strengths at break relate to rivet failure

Other designs available on request.

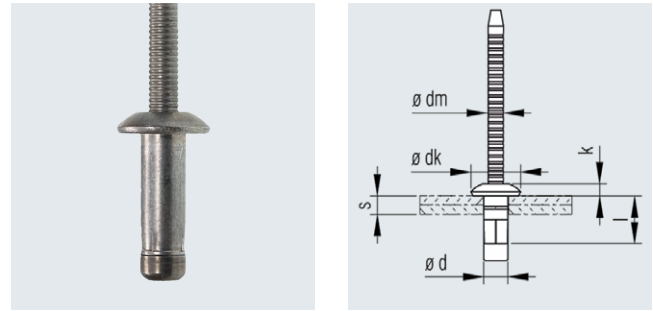
TIBULB® blind rivets

Truss head

Material

Sleeve:
Aluminium AlMg 2.5

Mandrel:
Aluminium AlMg 5.0/6.0



Nominal \varnothing d [mm]	Bore \varnothing [mm]	Grip range s [mm]	Blind sleeve l ± 0.3 [mm]	Blind rivet head		Mandrel \varnothing dm nom. [mm]	Nominal strength at break*		Article No.
				\varnothing dk ± 0.3 [mm]	Height k ± 0.2 [mm]		Shear [N]	Tensile [N]	
4.8	4.9 - 5.1	3.5 - 6.0	11.5	9.6	2.3	3.0	2550	1660	413 059 000
6.4	6.6 - 6.7	2.4 - 4.8	10.5	13.0	3.0	4.2	4100	3400	413 060 000
		4.8 - 6.8	12.5	13.0	3.0	4.2	4500	3400	413 061 000
		6.8 - 8.8	14.5	13.0	3.0	4.2	4900	3400	413 062 000
		8.8 - 10.8	16.5	13.0	3.0	4.2	4900	3400	413 063 000
		10.8 - 12.8	18.5	13.0	3.0	4.2	4900	3400	413 064 000
		12.8 - 14.8	20.5	13.0	3.0	4.2	4900	3400	413 065 000

* Strengths at break relate to rivet failure

Other designs available on request.

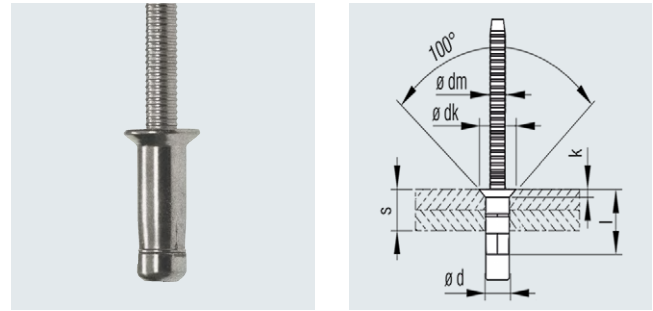
TIBULB® blind rivets

Countersunk 100°

Material

Sleeve:
 Aluminium AlMg 2.5

Mandrel:
 Aluminium AlMg 5.0/6.0



Nominal \varnothing d [mm]	Bore \varnothing [mm]	Grip range s [mm]	Blind sleeve l \pm 0.3 [mm]	Blind rivet head		Mandrel \varnothing dm nom. [mm]	Nominal strength at break*		Article No.
				\varnothing dk \pm 0.3 [mm]	Height k \pm 0.2 [mm]		Shear [N]	Tensile [N]	
6.4	6.6 - 6.8	5.8 - 7.8	13.5	10.0	2.0	4.2	3700	2900	413 066 000

* Strengths at break relate to rivet failure

Other designs available on request.

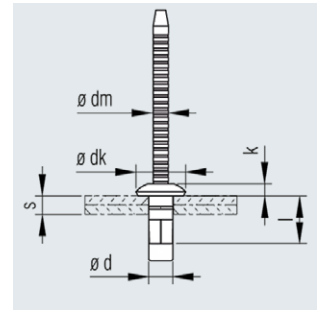
TIBULB® blind rivets

Truss head

Material

Sleeve:
Stainless steel A2
AISI 304 Cu

Mandrel:
Stainless steel A2
AISI 304



Nominal \varnothing d [mm]	Bore \varnothing [mm]	Grip range s [mm]	Blind sleeve l +0.6 -0.3 [mm]	Blind rivet head		Mandrel \varnothing dm nom. [mm]	Nominal strength at break*		Article No.
				\varnothing dk ± 0.2 [mm]	Height k ± 0.2 [mm]		Shear [N]	Tensile [N]	
4.8	4.9 - 5.1	1.5 - 3.5	9.0	9.8	2.2	3.0	6000	5000	413 096 000
		3.5 - 6.0	11.5	9.8	2.2	3.0	6850	5000	413 097 000
		6.0 - 8.5	14.0	9.8	2.2	3.0	6850	5000	413 099 000
		8.5 - 11.0	16.5	9.8	2.2	3.0	6850	5000	413 086 000
		11.0 - 13.0	19.0	9.8	2.2	3.0	6850	5000	413 098 000
6.4	6.6 - 6.7	2.0 - 4.5	10.5	13.0	3.0	4.2	13700	8300	413 090 000
		4.0 - 6.5	12.5	13.0	3.0	4.2	14500	8300	413 091 000
		5.0 - 8.5	14.5	13.0	3.0	4.2	14500	8300	413 092 000
		7.0 - 10.5	16.5	13.0	3.0	4.2	14500	8300	413 093 000
		9.0 - 12.5	18.5	13.0	3.0	4.2	14500	8300	413 094 000
		11.0 - 14.0	20.5	13.0	3.0	4.2	14500	8300	413 095 000
7.8	8.0 - 8.3	13.0 - 16.0	22.5	13.0	3.0	4.2	14500	8300	413 105 000
		4.0 - 7.0	13.5	16.0**	3.8***	5.1	20100	12750	413 150 000
		7.0 - 10.0	16.5	16.0**	3.8***	5.1	21500	12750	413 151 000
		10.0 - 13.0	19.5	16.0**	3.8***	5.1	21500	12750	413 152 000
		13.0 - 16.0	22.5	16.0**	3.8***	5.1	21500	12750	413 153 000

* Strengths at break relate to rivet failure

** Tolerance: ± 0.4

*** Tolerance: ± 0.3

Other designs available on request.

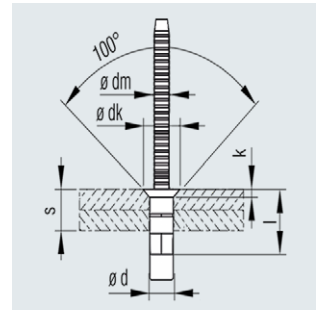
TIBULB® blind rivets

Countersunk 100°

Material

Sleeve:
Stainless steel A2
AISI 304 Cu

Mandrel:
Stainless steel A2:
AISI 304



Nominal \varnothing d [mm]	Bore \varnothing [mm]	Grip range s [mm]	Blind sleeve l +0.5 -0.3 [mm]	Blind rivet head		Mandrel \varnothing dm nom. [mm]	Nominal strength at break*		Article No.
				\varnothing dk [mm]	Height k [mm]		Shear [N]	Tensile [N]	
6.4	6.6 - 6.8	4.8 - 7.8	13.5	10.0	2.0	4.2	10790	8300	413 100 000
		6.8 - 9.8	15.5	10.0	2.0	4.2	12750	8300	413 101 000
		8.8 - 11.8	17.5	10.0	2.0	4.2	13730	8300	413 102 000

* Strengths at break relate to rivet failure

Other designs available on request.

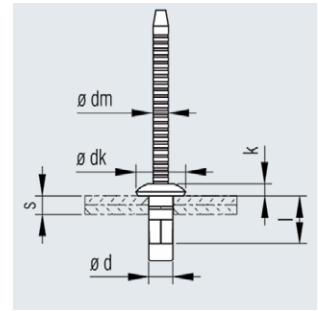
TIBULB® blind rivets

Truss head

Material

Sleeve:
Stainless steel A4
AISI 316 Cu

Mandrel:
Stainless steel A4
AISI 316 Cu



Nominal \varnothing d [mm]	Bore \varnothing [mm]	Grip range s [mm]	Blind sleeve l ± 0.3 [mm]	Blind rivet head		Mandrel \varnothing dm nom. [mm]	Nominal strength at break*		Article No.
				\varnothing dk ± 0.3 [mm]	Height k ± 0.2 [mm]		Shear [N]	Tensile [N]	
4.8	4.9 - 5.1	1.5 - 3.5	9.0	9.8	2.5	3.0	6000	5000	413 600 000
		3.5 - 6.0	11.5	9.8	2.5	3.0	6850	5000	413 601 000
		6.0 - 8.5	14.0	9.8	2.5	3.0	6850	5000	413 602 000
		8.5 - 11.0	16.5	9.8	2.5	3.0	6850	5000	413 603 000
		11.0 - 13.0	19.0	9.8	2.5	3.0	6850	5000	413 604 000
6.4	6.6 - 6.7	2.0 - 4.5	10.5	13.0	3.3	4.2	13700	8300	413 610 000
		4.0 - 6.5	12.5	13.0	3.3	4.2	14500	8300	413 611 000
		5.0 - 8.5	14.5	13.0	3.3	4.2	14500	8300	413 612 000
		7.0 - 10.5	16.5	13.0	3.3	4.2	14500	8300	413 613 000
		9.0 - 12.5	18.5	13.0	3.3	4.2	14500	8300	413 614 000
		11.0 - 14.0	20.5	13.0	3.3	4.2	14500	8300	413 615 000
		13.0 - 16.0	22.5	13.0	3.3	4.2	14500	8300	413 616 000
7.8	8.0 - 8.3	4.0 - 7.0	13.5	16.0**	4.1***	5.1	20100	12750	413 620 000
		7.0 - 10.0	16.5	16.0**	4.1***	5.1	21500	12750	413 621 000

* Strengths at break relate to rivet failure

** Tolerance: ± 0.4

*** Tolerance: ± 0.3

Other designs available on request.

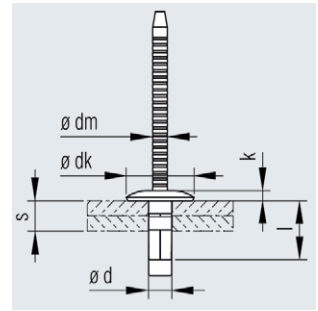
TIBULB® blind rivets

Large truss head

Material

Sleeve:
Stainless steel A4
AISI 316 Cu

Mandrel:
Stainless steel A4
AISI 316 Cu



Nominal \varnothing d [mm]	Bore \varnothing [mm]	Grip range s [mm]	Blind sleeve l ± 0.3 [mm]	Blind rivet head		Mandrel \varnothing dm nom. [mm]	Nominal strength at break*		Article No.
				\varnothing dk ± 0.3 [mm]	Height k ± 0.2 [mm]		Shear [N]	Tensile [N]	
6.4	6.6 - 6.7	2.0 - 4.5	10.5	16.0	3.0	4.1	14500	8300	413 640 000
		4.0 - 6.5	12.5	16.0	3.0	4.1	14500	8300	413 641 000
		5.0 - 8.5	14.5	16.0	3.0	4.1	14500	8300	413 642 000
		7.0 - 10.5	16.5	16.0	3.0	4.1	14500	8300	413 643 000
		9.0 - 12.5	18.5	16.0	3.0	4.1	14500	8300	413 644 000

* Strengths at break relate to rivet failure

Other designs available on request.

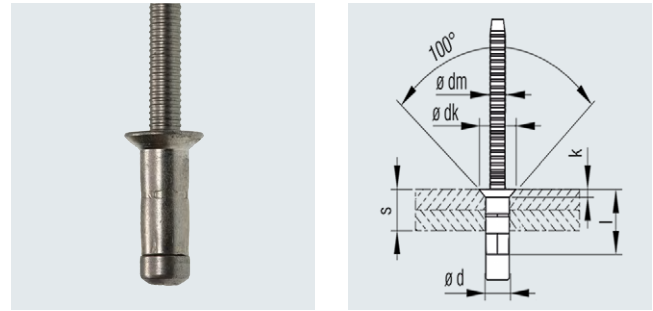
TIBULB® blind rivets

Countersunk 100°

Material

Sleeve:
Stainless steel A4
AISI 316 Cu

Mandrel:
Stainless steel A4
AISI 316 Cu



Nominal \varnothing d [mm]	Bore \varnothing [mm]	Grip range s [mm]	Blind sleeve l +0.5 -0.3 [mm]	Blind rivet head		Mandrel \varnothing dm nom. [mm]	Nominal strength at break*		Article No.
				\varnothing [mm]	Height k \pm 0.2 [mm]		Shear [N]	Tensile [N]	
6.4	6.6 - 6.8	4.8 - 7.8	13.5	10.0	2.0	4.2	10790	8300	413 630 000
		6.8 - 9.8	15.5	10.0	2.0	4.2	12750	8300	413 631 000
		8.8 - 11.8	17.5	10.0	2.0	4.2	13730	8300	413 632 000

* Strengths at break relate to rivet failure

Other designs available on request.

TIBULB® Plus blind rivets

Truss head, large grip range

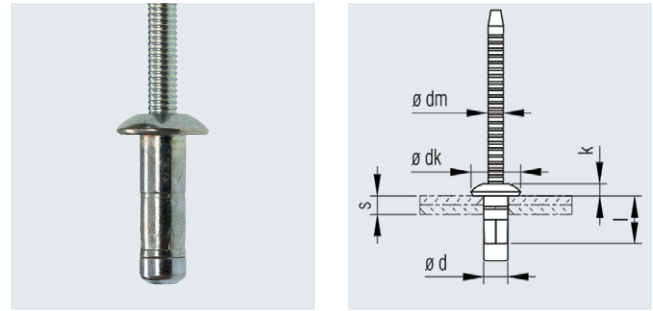
Material

Sleeve:

Steel SAE 1006/1008, galvanised, passivated

Mandrel:

Steel SAE 1015/1022, galvanised, passivated



Nominal \varnothing d [mm]	Bore \varnothing [mm]	Grip range s [mm]	Blind sleeve l ± 0.3 [mm]	Blind rivet head		Mandrel \varnothing dm nom. [mm]	Nominal strength at break*		Article No.
				\varnothing dk ± 0.3 [mm]	Height k ± 0.2 [mm]		Shear [N]	Tensile [N]	
6.5	6.7 - 6.9	2.0 - 4.5	10.5	13.0	3.0	4.2	10790	7900	413 015 900
		3.0 - 6.5	12.5	13.0	3.0	4.2	12250	7900	413 016 900
		5.0 - 8.5	14.5	13.0	3.0	4.2	13730	7900	413 017 900
		7.0 - 10.5	16.5	13.0	3.0	4.2	14120	7900	413 003 900
		9.0 - 12.5	18.5	13.0	3.0	4.2	15400	7900	413 004 900
		11.0 - 14.5	20.5	13.0	3.0	4.2	15400	7900	413 005 900
		13.0 - 16.5	22.5	13.0	3.0	4.2	15400	7900	413 006 900

* Strengths at break relate to rivet failure

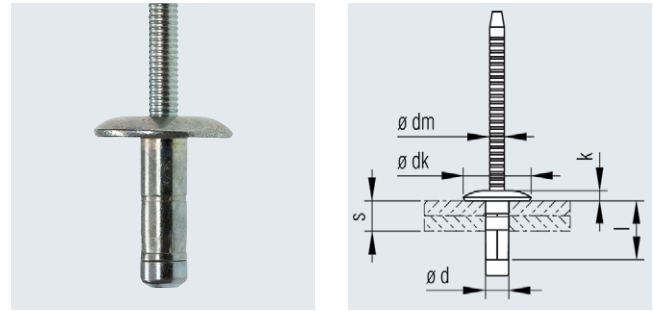
Other designs available on request.

TIBULB® Plus blind rivets

Large truss head, large grip range

Material

<p>Sleeve: Steel SAE 1006/1008, galvanised, passivated</p>	<p>Mandrel: Steel SAE 1015/1022, galvanised, passivated</p>
---	--



Nominal \varnothing d [mm]	Bore \varnothing [mm]	Grip range s [mm]	Blind sleeve l ± 0.3 [mm]	Blind rivet head		Mandrel \varnothing dm nom. [mm]	Nominal strength at break*		Article No.
				\varnothing [mm]	Height k ± 0.3 [mm]		Shear [N]	Tensile [N]	
6.5	6.7 - 6.9	5.0 - 8.5	14.5	19.0	3.0	4.2	12700	7300	413 050 900
		7.0 - 10.5	16.5	19.0	3.0	4.2	13500	7300	413 051 900

* Strengths at break relate to rivet failure

Other designs available on request.

Copyright

All texts, images, technical documents and other information contained in this catalogue are subject to copyright held by Titgemeyer GmbH & Co. KG. Any reproduction or disclosure, whether as a copy or other form of duplication or use, is expressly prohibited without the prior consent of Titgemeyer GmbH & Co. KG.

Registered trademarks

The trademarks BÖRTI, GETO, GETO therm, GETOVAN, GTO, LockBolt, MEGA PORT, plasti van, PLYFIX, POLYSTIC, press-ti, RIEKO, RIV-TI, ROLL-TO, TIBOLT, TIBULB, TIFAS, TILA, TIOS and Titgemeyer are registered trademarks and the intellectual property of Titgemeyer GmbH & Co. KG.

Term of Delivery and Payment

All deliveries are carried out in compliance with our Terms of Delivery and Payment.

Limitation of liability

All technical data, performance descriptions, drawings, illustrations, measurements, weights or any other performance data, recommendations and guidelines contained in this catalogue and relating to the installation of parts that we supply are only binding if so expressly agreed. Moreover, the user is obliged at all times to check each individual use and decide whether the components that we supply can be used as needed.

We accept liability in the case of wilful intent, gross negligence and infringement of cardinal contractual duties as well as for errors in respect of express or implied representations. Notwithstanding this, any claims for compensation not explicitly agreed to in these terms and conditions are hereby excluded in the case of customers who are not consumers and, in the case of such customers, who are not consumers, at all events limited to the damage foreseeable at the time of concluding the contract as well as to the value of the delivered consignment. To the extent that our liability is excluded or limited, this shall extend accordingly to the personal liability of employees, legal representatives and vicarious agents. In all instances of gross negligence committed by vicarious agents, we shall solely be liable to customers, who are not consumers, to compensate for typically foreseeable damage. The statutory regulation governing the burden of proof shall remain unaffected. The aforementioned limitation of liability shall not apply to claims resulting from product liability, for damage resulting from injury to life, limb or health, or for damage to privately used property.

All technical specifications contained in this brochure are approximate and no guarantee is given as to their accuracy. Designs are subject to change.

About us

Titgemeyer Group is a leading fastening technology and transport technology group of companies with 15 sites across Europe. Steeped in tradition, the company develops, manufactures and sells more than 30,000 fastening elements, tools and vehicle components – in series and to customer specification.

Headquarters

Titgemeyer GmbH & Co. KG
Hannoversche Straße 97
49084 Osnabrück / DE

POB 4320
49033 Osnabrück / DE

T +49 541 5822-0
E info@titgemeyer.com
W titgemeyer.com



Sales locations

Gebr. Titgemeyer GmbH
Brunner Straße 77 - 79
1230 Wien / AT

T +43 (0) 1/6 67 90 40 - 0
E sales@titgemeyer.com
W titgemeyer.at

Titgemeyer CZ spol. s r. o.
U Vodárny 1506
397 01 Písek / CZ

T +420 382 2067 - 25
E sales@titgemeyer.com
W titgemeyercz.cz

Titgemeyer Polska sp. z o.o.
Cypriana Bazylika 17
98-200 Sieradz / PL

T +48 (0) 43 828 20 - 15
E sales@titgemeyer.com
W titgemeyer.pl

Titgemeyer Skandinavien A/S
Lunikvej 32
2670 Greve / DK

T +45 4360 0966
E info@titgemeyer.dk
W titgemeyer.dk

Titgemeyer Skandinavien A/S
Box 3218
550 03 Jönköping / SE

T +46 36 128350
E info@titgemeyer.se
W titgemeyer.se

Titgemeyer Turkey Baglanti Teknolojileri San. ve Tic. A.S.
Barbaros Mah. Is Merkezi No.1
Kat: 8 D.58
34746 Atasehir, Istanbul / TR

T +90 (0) 21 66 88 20 - 27
E sales@titgemeyer.com.tr
W titgemeyer.com.tr

Titgemeyer (UK) Limited
A2 Link One Industrial Park
George Henry Road
DY4 7BU Tipton / UK

T +44 (0) 1 21 5 57 97 - 77
E sales@titgemeyer.co.uk
W titgemeyer.co.uk

Production locations

Baker & Finnemore Limited
199 Newhall Street
Birmingham, B3 1SN / UK

T +44 121 23 62 - 347
E info@bakfin.com
W bakfin.com

**Titgemeyer GmbH & Co. KG
Werk Lotte**
Daimlerstraße 13 - 15
49504 Lotte / DE

T +49 5404 9666 - 0
E info@titgemeyer.com
W titgemeyer.com

RIEKO GmbH
Robert-Bosch-Straße 9
72124 Pliezhausen / DE

T +49 7127 9744 - 0
E info@rieko-web.com
W rieko-web.com

**Titgemeyer Tools & Automation
spol s.r.o.**
U Vodárny 1506
397 01 Písek / CZ

T +42 382 2067 - 11
E info@rivetec.cz
W rivetec.cz

**TS Gesellschaft für Transport- und
Sicherheitssysteme mbH**
Haßlinghauser Straße 156
58285 Gevelsberg / DE

T +49 541 5822 - 900
E ts@cargocontrol.de
W wir-sind-ladungssicherung.de