

Fastening Technology / Blind Rivets

TIFAS[®] Plastic Blind Rivets



Copyright

All texts, images, technical documents and other information contained in this catalogue are subject to copyright held by Titgemeyer GmbH & Co. KG. Any reproduction or disclosure, whether as a copy or other form of duplication or use, is expressly prohibited without the prior consent of Titgemeyer GmbH & Co. KG.

Registered trademarks

The trademarks BÖRTI, GETO, GETO therm, GETOVAN, GTO, LockBolt, MEGA PORT, plasti van, PLYFIX, POLYSTIC, press-ti, RIEKO, RIV-TI, ROLL-TO, TIBOLT, TIBULB, TIFAS, TILA, TIOS and Titgemeyer are registered trademarks and the intellectual property of Titgemeyer GmbH & Co. KG.

Term of Delivery and Payment

All deliveries are carried out in compliance with our Terms of Delivery and Payment.

Limitation of liability

All technical data, performance descriptions, drawings, illustrations, measurements, weights or any other performance data, recommendations and guidelines contained in this catalogue and relating to the installation of parts that we supply are only binding if so expressly agreed. Moreover, the user is obliged at all times to check each individual use and decide whether the components that we supply can be used as needed.

We accept liability in the case of wilful intent, gross negligence and infringement of cardinal contractual duties as well as for errors in respect of express or implied representations. Notwithstanding this, any claims for compensation not explicitly agreed to in these terms and conditions are hereby excluded in the case of customers who are not consumers and, in the case of such customers, who are not consumers, at all events limited to the damage foreseeable at the time of concluding the contract as well as to the value of the delivered consignment. To the extent that our liability is excluded or limited, this shall extend accordingly to the personal liability of employees, legal representatives and vicarious agents. In all instances of gross negligence committed by vicarious agents, we shall solely be liable to customers, who are not consumers, to compensate for typically foreseeable damage. The statutory regulation governing the burden of proof shall remain unaffected. The aforementioned limitation of liability shall not apply to claims resulting from product liability, for damage resulting from injury to life, limb or health, or for damage to privately used property.

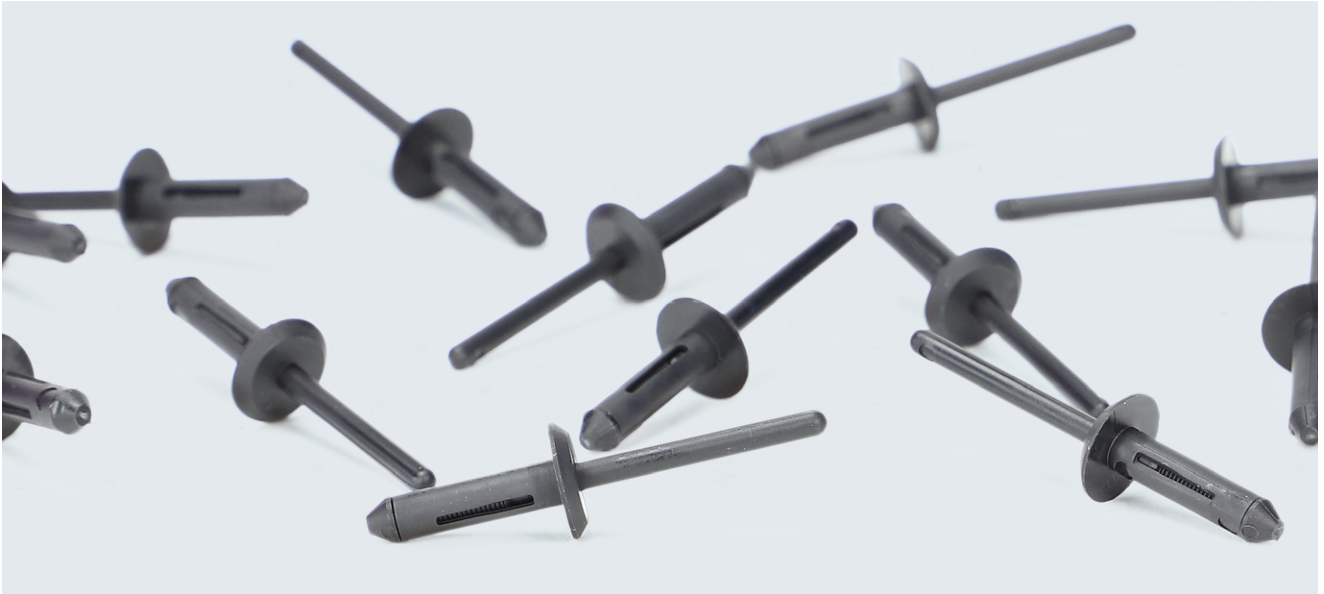
All technical specifications contained in this brochure are approximate and no guarantee is given as to their accuracy. Designs are subject to change.

Contents

Page

TIFAS® plastic blind rivets	Overview		5
	Truss head	Plastic/plastic	6
	Truss head	Plastic/plastic	7

TIFAS® plastic blind rivets



Securely fitting plastic blind rivet.
Can be installed using standard tools.
Will not damage varnished surfaces.
Non-corrosive and watertight.

Benefits at a glance

- Suitable for securing components
- Installation using standard tools
- Universal use
- Quick and secure installation
- Heatless installation means component will not warp
- Eliminates extensive refinishing

Applications

- General industry
- Automotive industry
- Bodywork and vehicle manufacture

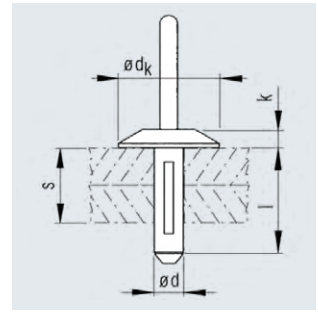
TIFAS® plastic blind rivets

Truss head

Material

Sleeve
Plastic,
Polyamide PA 6.6,
black

Mandrel
Plastic,
Polyoxymethylene POM,
black



Nominal \varnothing $d +0.0 -0.5$ [mm]	Bore \varnothing [mm]	Grip range s [mm]	Sleeve $l +0.0 -3.0$ [mm]	Rivet head \varnothing dk [mm]	Height k [mm]	Article No.
4.5	4.0 - 4.5	6.0 - 10.5	26.0	15.5 x 8.5	2.5	409 200 000
5.5	5.0 - 5.5	1.5 - 4.5	18.5	12.0	3.3	409 201 000
		3.0 - 6.0	20.0	12.0	1.8	409 202 000
		6.0 - 10.0	25.0	12.0	1.8	409 203 000
6.8	6.3 - 6.8	4.0 - 6.0	28.0	17.0	2.5	409 204 000
7.5	7.0 - 7.5	2.5 - 6.0	24.0	18.0	2.6	409 205 000

Other designs available on request.

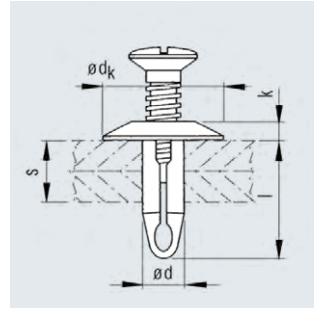
TIFAS® plastic blind rivets

Truss head

Material

Sleeve
Plastic,
Polyamide PA 6.6,
black

Mandrel
Plastic,
Polyamide PA 6.6,
black



Nominal \emptyset d [mm]	Bore \emptyset [mm]	Grip range s [mm]	Sleeve l [mm]	Rivet head \emptyset dk [mm]	Article No.
5.0	5.0	2.5 - 3.5	17.5	11.0	435 220 000
5.8	5.8 - 6.0	4.5 - 7.5	20.0	11.0	435 221 000
6.8	6.3 - 6.8	2.5 - 8.0	22.8	15.5	435 222 000 ¹
8.5	8.0 - 8.5	3.5 - 8.5	20.0	15.0	435 223 000 ¹
6.3 square	6.35 x 6.25	0.9 - 1.2	4.6	11.5	435 224 000

¹ Grip range depends on bore hole.

Other designs available on request.

About us

Titgemeyer Group is a leading fastening technology and transport technology group of companies with 15 sites across Europe. Steeped in tradition, the company develops, manufactures and sells more than 30,000 fastening elements, tools and vehicle components – in series and to customer specification.

Headquarters

Titgemeyer GmbH & Co. KG
Hannoversche Straße 97
49084 Osnabrück / DE

POB 4320
49033 Osnabrück / DE

T +49 541 5822-0
E info@titgemeyer.com
W titgemeyer.com



Sales locations

Gebr. Titgemeyer GmbH
Brunner Straße 77 - 79
1230 Wien / AT

T +43 (0) 1/6 67 90 40 - 0
E sales@titgemeyer.com
W titgemeyer.at

Titgemeyer CZ spol. s r. o.
U Vodárny 1506
397 01 Písek / CZ

T +420 382 2067 - 25
E sales@titgemeyer.com
W titgemeyercz.cz

Titgemeyer Polska sp. z o.o.
Cypriana Bazylika 17
98-200 Sieradz / PL

T +48 (0) 43 828 20 - 15
E sales@titgemeyer.com
W titgemeyer.pl

Titgemeyer Skandinavien A/S
Lunikvej 32
2670 Greve / DK

T +45 4360 0966
E info@titgemeyer.dk
W titgemeyer.dk

Titgemeyer Skandinavien A/S
Box 3218
550 03 Jönköping / SE

T +46 36 128350
E info@titgemeyer.se
W titgemeyer.se

**Titgemeyer Turkey Baglanti
Teknolojileri San. ve Tic. A.S.**
Barbaros Mah. Is Merkezi No.1
Kat: 8 D.58

34746 Atasehir, Istanbul / TR
T +90 (0) 21 66 88 20 - 27
E sales@titgemeyer.com.tr
W titgemeyer.com.tr

Titgemeyer (UK) Limited
A2 Link One Industrial Park
George Henry Road
DY4 7BU Tipton / UK

T +44 (0) 1 21 5 57 97 - 77
E sales@titgemeyer.co.uk
W titgemeyer.co.uk

Production locations

Baker & Finmore Limited
199 Newhall Street
Birmingham, B3 1SN / UK

T +44 121 23 62 - 347
E info@bakfin.com
W bakfin.com

**Titgemeyer GmbH & Co. KG
Werk Lotte**
Daimlerstraße 13 - 15
49504 Lotte / DE

T +49 5404 9666 - 0
E info@titgemeyer.com
W titgemeyer.com

RIEKO GmbH
Robert-Bosch-Straße 9
72124 Pliezhausen / DE

T +49 7127 9744 - 0
E info@rieko-web.com
W rieko-web.com

**Titgemeyer Tools & Automation
spol s.r.o.**
U Vodárny 1506
397 01 Písek / CZ

T +42 382 2067 - 11
E info@rivetec.cz
W rivetec.cz

**TS Gesellschaft für Transport- und
Sicherheitssysteme mbH**
Haßlinghauser Straße 156
58285 Gevelsberg / DE

T +49 541 5822 - 900
E ts@cargocontrol.de
W wir-sind-ladungssicherung.de