

Fastening Technology / Threaded Inserts

RIV-TI[®] Flex

Blind Nuts



Contents

			Page
RIV-TI® Flex blind nuts	Overview		4
	Standard head	EPDM/stainless steel	6
		EPDM/brass	7
	Large head	EPDM/stainless steel	8
		EPDM/brass	8
	Snap head	EPDM/stainless steel	9
		EPDM/brass	9
	Tension bushing	EPDM/stainless steel	10
		EPDM/brass	10

RIV-TI® Flex blind nuts



RIV-TI® Flex blind nuts consist of an elastic EPDM rivet body comprising a stainless steel or brass threaded insert. The fastener actively absorbs shocks, vibrations and noise. All that is needed to distort the EPDM rivet body is a screw; no special tools are required! The result is a well-formed distorted ridge. The fastener is removable and can be re-used for other jobs.

RIV-TI® Flex blind nuts can also be used in blind hole applications. Turning the screw causes the distortion area to clamp against the internal wall of the hole. The retention force is dictated by the coarseness of the hole in the component.

RIV-TI® Flex is suitable for a very broad range of applications. The EPDM rivet body stands out for its high weather resistance and is thus exceptionally well-suited for use outdoors in particular. We are also able to manufacture rivet bodies using other combinations of materials to suit your particular needs. Neoprene or NBR rivet bodies are available subject to minimum order volumes being placed.

Neoprene exhibits positive properties in numerous applications and is electrically non-conductive. NBR is highly resistant to mineral oils, greases and hydrocarbons.

Benefits at a glance

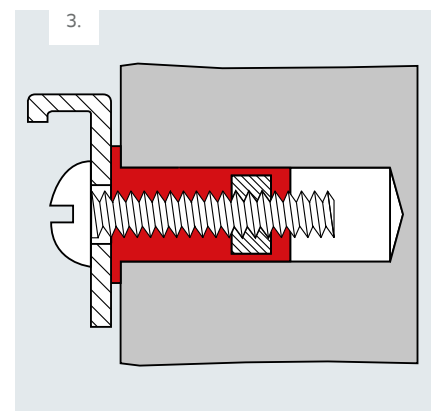
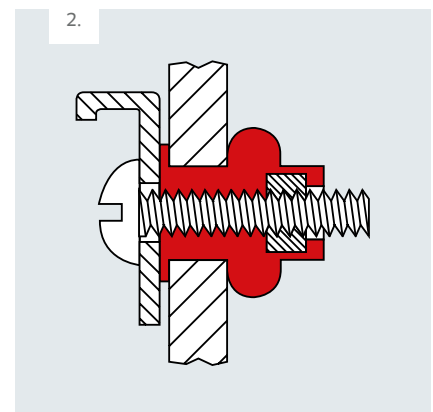
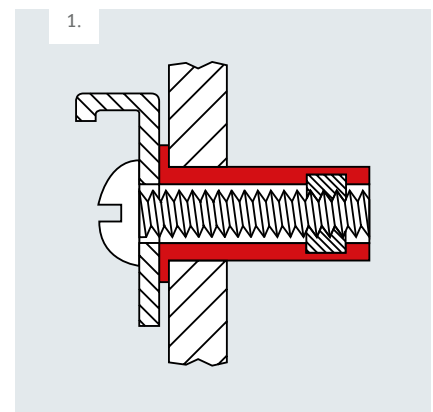
- Corrosion-resistant
- One-sided installation (blind) possible; no tools required
- Vibration-damping and noise-absorbing
- Reliable fit, even when using problematic fasteners such as hard / soft connectors
- Dielectric (neoprene on request)
- Temperature-resistant from -30 °C to +80 °C
- Gentle on sensitive materials and surfaces
- Removeable

Easy, rational and time-saving installation - no tools required

1. Prepare the drilled hole and insert the RIV-TI® Flex.
2. Turn the screw to form the blind side footprint; no special tools are required.
3. Use in blind side holes: RIV-TI® Flex presses against the drilled hole wall and forms a frictionless tight fit.

Form of delivery

Threads:	M3, M4, M5, M6, M8, M10, M12
Material Sleeve:	EPDM, black
Material Threaded insert:	A2 stainless steel (1.4567) or brass (2.0401)



RIV-TI® Flex blind nuts

Standard head

Especially suited to all applications where vibration damping and shock absorbance are prime considerations.

Material

Sleeve:



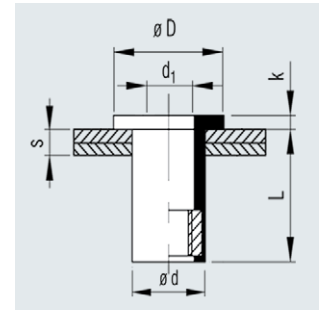
EPDM, black

(dielectric on request)

Threaded insert:



stainless steel



Gewinde d1	Klemmlängenbereich s [mm]	Bohrloch Ø [mm]	Schaft Ø d [mm]	Kopf Ø D [mm]	Kopfhöhe k [mm]	Schaftlänge L [mm]	Anziehdrehmoment [Nm]	Artikel-Nr.
M3	0.4 - 4.0	8.0	7.9	11.0	1.2	11.4	0.25 - 0.50	331 331 003
M4	0.4 - 4.0	8.0	7.9	11.0	1.2	11.4	0.25 - 0.39	331 340 003
M5	0.4 - 4.9	9.7	9.6	12.7	0.9	13.2	0.34 - 0.50	331 350 003
	0.85 - 5.9	9.7	9.6	14.0	1.0	16.0	0.29 - 0.69	331 351 003
	0.8 - 5.8	9.7	9.6	14.0	4.7	14.8	0.39 - 0.69	331 353 003
	4.0 - 10.0	9.7	9.6	14.0	0.9	20.6	0.29 - 0.88	331 357 003
	7.9 - 15.0	9.7	9.6	14.0	1.3	25.2	0.29 - 0.69	331 358 003
	20.5 - 30.0	9.7	9.6	14.0	1.3	37.7	0.59 - 0.98	331 349 003
M6	0.4 - 4.0	12.8	12.7	16.0	1.3	14.7	0.59 - 0.98	331 360 003
	4.7 - 8.7	12.8	12.7	16.0	1.3	19.0	0.59 - 0.98	331 367 003
	0.8 - 4.7	12.8	12.7	19.1	4.8	16.35	0.78 - 0.98	331 365 003
	6.4 - 11.5	12.8	12.7	16.3	2.0	24.7	0.78 - 0.98	331 362 003
M8	0.4 - 4.0	16.0	15.9	21.5	3.2	15.1	0.98 - 1.47	331 380 003
	3.95 - 9.5	16.0	15.9	21.5	5.7	22.2	0.98 - 1.57	331 381 003

Other designs available on request.

RIV-TI® Flex blind nuts

Standard head

Especially suited to all applications where vibration damping and shock absorbance are prime considerations.

Material

Sleeve:

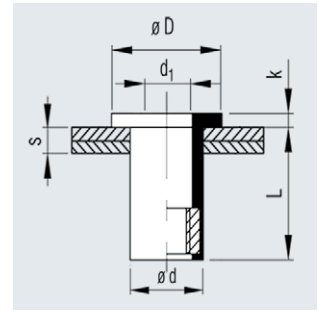


EPDM, black
(dielectric on request)

Threaded insert:



brass



Thread size d1	Grip range s [mm]	Hole ø [mm]	Shank ø d [mm]	Head ø D [mm]	Head height k [mm]	Shank length L [mm]	Tightening torque [Nm]	Article No.
M3	0.4 - 4.0	8.0	7.9	11.0	1.2	11.4	0.25 - 0.50	331 300 003
M4	0.4 - 4.0	8.0	7.9	11.0	1.2	11.4	0.25 - 0.39	331 301 003
M5	0.4 - 4.9	9.7	9.6	12.7	0.9	13.2	0.34 - 0.50	331 302 003
	0.85 - 5.9	9.7	9.6	14.0	1.0	16.0	0.29 - 0.69	331 303 003
	0.8 - 5.8	9.7	9.6	14.0	4.7	14.8	0.39 - 0.69	331 304 003
	4.0 - 10.0	9.7	9.6	14.0	0.9	20.6	0.29 - 0.88	331 305 003
	7.9 - 15.0	9.7	9.6	14.0	1.3	25.2	0.29 - 0.69	331 306 003
	20.5 - 30.0	9.7	9.6	14.0	1.3	37.7	0.59 - 0.98	331 307 003
M6	0.4 - 4.0	12.8	12.7	16.0	1.3	14.7	0.59 - 0.98	331 308 003
	4.7 - 8.7	12.8	12.7	16.0	1.3	19.0	0.59 - 0.98	331 309 003
	0.8 - 4.7	12.8	12.7	19.1	4.8	16.35	0.78 - 0.98	331 310 003
	6.4 - 11.5	12.8	12.7	16.3	2.0	24.7	0.78 - 0.98	331 312 003
M8	0.4 - 4.0	16.0	15.9	21.5	3.2	15.1	0.98 - 1.47	331 313 003
	3.95 - 9.5	16.0	15.9	21.5	5.7	22.2	0.98 - 1.57	331 314 003
M10	2.5 - 3.5	20.1	20.0	25.0	3.0	21.0	4.41 - 5.39	331 315 003
	0.38 - 11.1	19.15	19.05	29.5	4.75	22.25	4.41 - 5.39	331 316 003
M12	2.5 - 3.5	24.1	24.0	27.0	3.0	23.5	5.88 - 6.86	331 317 003

Other designs available on request.

RIV-TI® Flex blind nuts

Large head

Ideal for use in soft and thin materials. The large head provides for ideal load distribution.

Material

Sleeve:

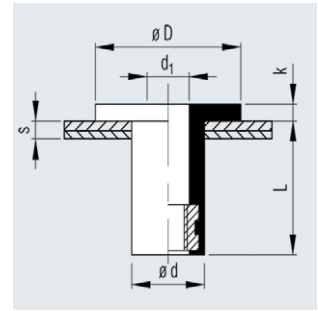


EPDM, black
(dielectric on request)

Threaded insert:



stainless steel



Thread size d1	Grip range s [mm]	Hole ø [mm]	Shank ø d [mm]	Head ø D [mm]	Head height k [mm]	Shank length L [mm]	Tightening torque [Nm]	Article No.
M3	9.5 - 13.0	6.2	6.1	14.0	0.9	24.0	0.25 - 0.50	331 333 003
M4	0.4 - 4.4	8.0	7.9	19.05	1.5	12.7	0.25 - 0.39	331 343 003
M5	0.8 - 5.8	9.7	9.6	19.0	2.0	16.0	0.29 - 0.69	331 354 003
M6	0.4 - 4.0	12.8	12.7	20.0	1.3	14.7	0.59 - 0.98	331 363 003

Other designs available on request.

Large head

Ideal for use in soft and thin materials. The large head provides for ideal load distribution.

Material

Sleeve:

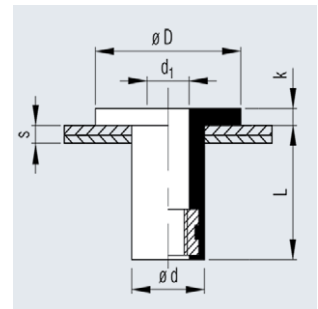


EPDM, black
(dielectric on request)

Threaded insert:



brass



Thread size d1	Grip range s [mm]	Hole ø [mm]	Shank ø d [mm]	Head ø D [mm]	Head height k [mm]	Shank length L [mm]	Tightening torque [Nm]	Article No.
M3	9.5 - 13.0	6.2	6.1	14.0	0.9	24.0	0.25 - 0.50	331 320 003
M4	0.4 - 4.4	8.0	7.9	19.05	1.5	12.7	0.25 - 0.39	331 321 003
M5	0.8 - 5.8	9.7	9.6	19.0	2.0	16.0	0.29 - 0.69	331 322 003
M6	0.4 - 4.0	12.8	12.7	20.0	1.3	14.7	0.59 - 0.98	331 323 003

Other designs available on request.

RIV-TI® Flex blind nuts

Snap head

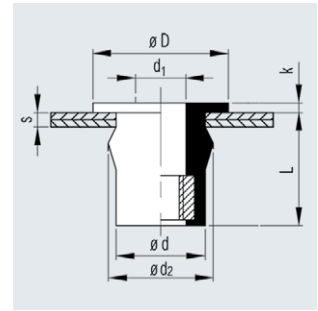
Ideal for use on assembly lines. The snap function provided by the blind nut enables it to fit tightly in the base material before the assembly work is completed.

Material

Sleeve: Threaded insert: stainless

EPDM, black
(dielectric on request)

steel



Thread d1	Grip range s [mm]	Hole ø [mm]	Shank ø d [mm]	Shank ø d2 [mm]	Head ø D [mm]	Head height k [mm]	Shank length L [mm]	Tightening torque [Nm]	Article No.
M4	0.4 - 1.3	8.0	7.9	9.3	12.7	1.3	9.7	0.34 - 0.50	331 370 003
M5	0.5 - 1.5	9.7	9.6	10.25	12.7	1.5	9.5	0.34 - 0.50	331 371 003
	0.4 - 1.3	9.7	9.6	10.25	14.2	3.2	10.8	0.34 - 0.50	331 372 003

Other designs available on request.

Snap head

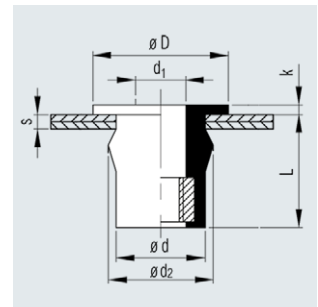
Ideal for use on assembly lines. The snap function provided by the blind nut enables it to fit tightly in the base material before the assembly work is completed.

Material

Sleeve: Threaded insert:

EPDM, black
(dielectric on request)

brass



Thread d1	Grip range s [mm]	Hole ø [mm]	Shank ø d [mm]	Shank ø d2 [mm]	Head ø D [mm]	Head height k [mm]	Shank length L [mm]	Tightening torque [Nm]	Article No.
M4	0.4 - 1.3	8.0	7.9	9.3	12.7	1.3	9.7	0.34 - 0.50	331 324 003
M5	0.5 - 1.5	9.7	9.6	10.25	12.7	1.5	9.5	0.34 - 0.50	331 325 003
	0.4 - 1.3	9.7	9.6	10.25	14.2	3.2	10.8	0.34 - 0.50	331 326 003

Other designs available on request.

RIV-TI® Flex blind nuts

Tension bushing

The metal tension bushing makes for a constant tightening torque.

Material

Sleeve:

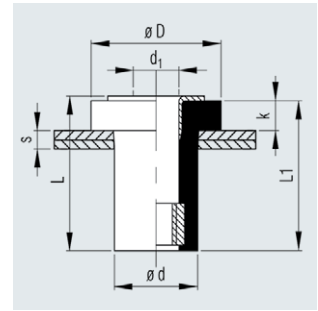


EPDM, black
(dielectric on request)

Threaded insert:



stainless steel



Thread size d1	Grip range s [mm]	Hole \varnothing [mm]	Shank \varnothing d [mm]	Head \varnothing D [mm]	Head height k [mm]	Shank length L [mm]	Tightening torque [Nm]	Article No.
M4	0.5 - 2.0	8.0	7.9	12.0	3.5	11.0	0.10 - 0.15	331 375 003

Other designs available on request.

Tension bushing

The metal tension bushing makes for a constant tightening torque.

Material

Sleeve:

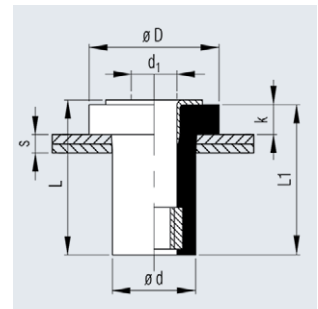


EPDM, black
(dielectric on request)

Threaded insert:



brass



Thread size d1	Grip range s [mm]	Hole \varnothing [mm]	Shank \varnothing d [mm]	Head \varnothing D [mm]	Head height k [mm]	Shank length L [mm]	Tightening torque [Nm]	Article No.
M4	0.5 - 2.0	8.0	7.9	12.0	3.5	11.0	0.10 - 0.15	331 327 003

Other designs available on request.

Copyright

All texts, images, technical documents and other information contained in this catalogue are subject to copyright held by Titgemeyer GmbH & Co. KG. Any reproduction or disclosure, whether as a copy or other form of duplication or use, is expressly prohibited without the prior consent of Titgemeyer GmbH & Co. KG.

Registered trademarks

The trademarks BÖRTI, GETO, GETO therm, GETOVAN, GTO, LockBolt, MEGA PORT, plasti van, PLYFIX, POLYSTIC, press-ti, RIEKO, RIV-TI, ROLL-TO, TIBOLT, TIBULB, TIFAS, TILA, TIOS and Titgemeyer are registered trademarks and the intellectual property of Titgemeyer GmbH & Co. KG.

Term of Delivery and Payment

All deliveries are carried out in compliance with our Terms of Delivery and Payment.

Limitation of liability

All technical data, performance descriptions, drawings, illustrations, measurements, weights or any other performance data, recommendations and guidelines contained in this catalogue and relating to the installation of parts that we supply are only binding if so expressly agreed. Moreover, the user is obliged at all times to check each individual use and decide whether the components that we supply can be used as needed.

We accept liability in the case of wilful intent, gross negligence and infringement of cardinal contractual duties as well as for errors in respect of express or implied representations. Notwithstanding this, any claims for compensation not explicitly agreed to in these terms and conditions are hereby excluded in the case of customers who are not consumers and, in the case of such customers, who are not consumers, at all events limited to the damage foreseeable at the time of concluding the contract as well as to the value of the delivered consignment. To the extent that our liability is excluded or limited, this shall extend accordingly to the personal liability of employees, legal representatives and vicarious agents. In all instances of gross negligence committed by vicarious agents, we shall solely be liable to customers, who are not consumers, to compensate for typically foreseeable damage. The statutory regulation governing the burden of proof shall remain unaffected. The aforementioned limitation of liability shall not apply to claims resulting from product liability, for damage resulting from injury to life, limb or health, or for damage to privately used property.

About us

Titgemeyer Group is a leading fastening technology and transport technology group of companies with 15 sites across Europe. Steeped in tradition, the company develops, manufactures and sells more than 30,000 fastening elements, tools and vehicle components – in series and to customer specification.

Headquarters

Titgemeyer GmbH & Co. KG
Hannoversche Straße 97
49084 Osnabrück / DE

POB 4320
49033 Osnabrück / DE

T +49 541 5822-0
E info@titgemeyer.com
W titgemeyer.com



Sales locations

Gebr. Titgemeyer GmbH
Brunner Straße 77 - 79
1230 Wien / AT

T +43 (0) 1/6 67 90 40 - 0
E sales@titgemeyer.com
W titgemeyer.at

Titgemeyer CZ spol. s r. o.
U Vodárny 1506
397 01 Písek / CZ

T +420 382 2067 - 25
E sales@titgemeyer.com
W titgemeyercz.cz

Titgemeyer Polska sp. z o.o.
Cypriana Bazylika 17
98-200 Sieradz / PL

T +48 (0) 43 828 20 - 15
E sales@titgemeyer.com
W titgemeyer.pl

Titgemeyer Skandinavien A/S
Lunikvej 32
2670 Greve / DK

T +45 4360 0966
E info@titgemeyer.dk
W titgemeyer.dk

Titgemeyer Skandinavien A/S
Box 3218
550 03 Jönköping / SE

T +46 36 128350
E info@titgemeyer.se
W titgemeyer.se

Titgemeyer Turkey Bağlantı
Teknolojileri San. ve Tic. A.Ş.
Barbaros Mah. Is Merkezi No.1
Kat: 8 D.58
34746 Atasehir, Istanbul / TR

T +90 (0) 21 66 88 20 - 27
E sales@titgemeyer.com.tr
W titgemeyer.com.tr

Titgemeyer (UK) Limited
A2 Link One Industrial Park
George Henry Road
DY4 7BU Tipton / UK

T +44 (0) 1 21 5 57 97 - 77
E sales@titgemeyer.co.uk
W titgemeyer.co.uk

Production locations

Baker & Finnemore Limited
199 Newhall Street
Birmingham, B3 1SN / UK

T +44 121 23 62 - 347
E info@bakfin.com
W bakfin.com

Titgemeyer GmbH & Co. KG
Werk Lotte
Daimlerstraße 13 - 15
49504 Lotte / DE

T +49 5404 9666 - 0
E info@titgemeyer.com
W titgemeyer.com

RIEKO GmbH
Robert-Bosch-Straße 9
72124 Pliezhausen / DE

T +49 7127 9744 - 0
E info@rieko-web.com
W rieko-web.com

RIVETEC s.r.o.
U Vodárny 1506
397 01 Písek / CZ

T +42 382 2067 - 11
E info@rivetec.cz
W rivetec.cz

TS Gesellschaft für Transport- und
Sicherungssysteme mbH
Haßlinghauser Straße 156
58285 Gevelsberg / DE

T +49 541 5822 - 900
E ts@cargocontrol.de
W wir-sind-ladungssicherung.de