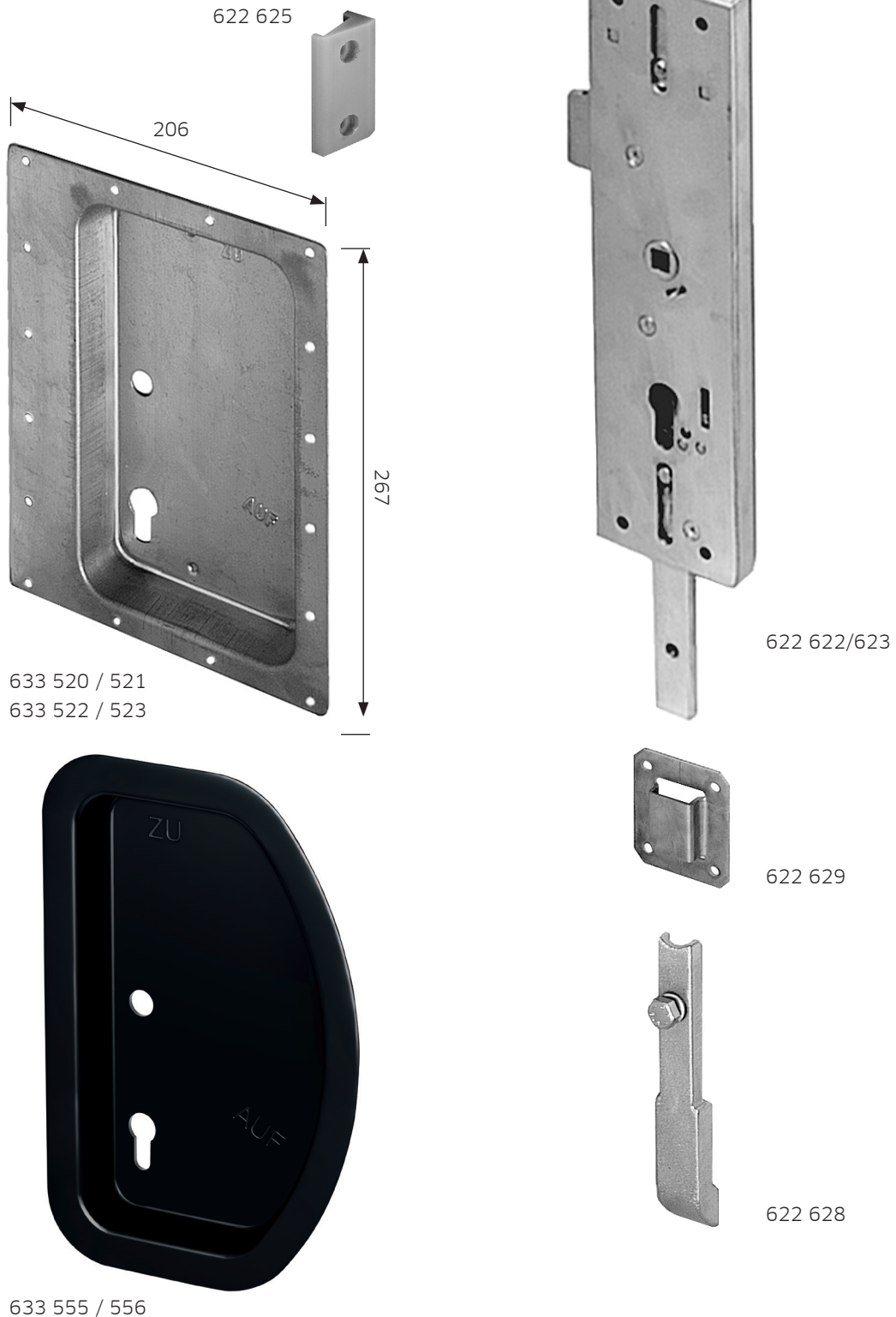


Rod locks

Connecting rod lock

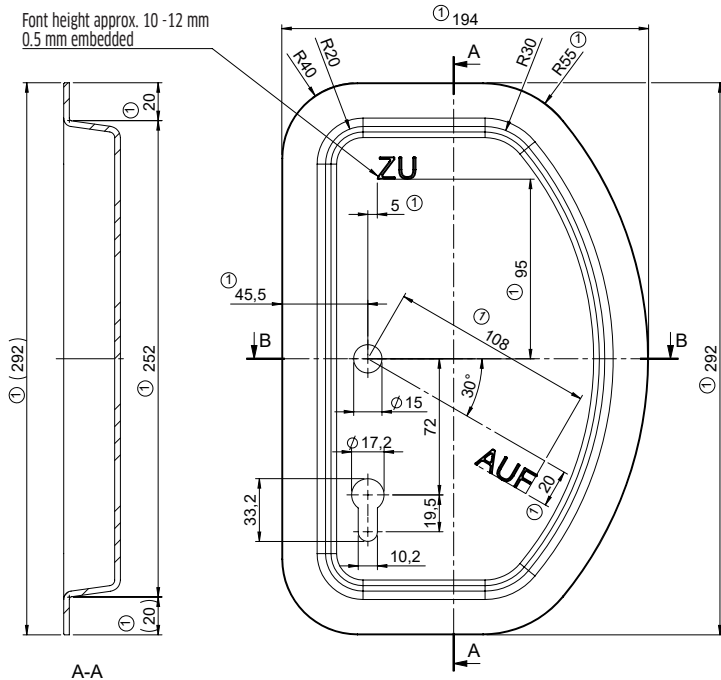
- Suitable for fitting in rear doors, side doors and flaps as simple 3-point-lock with chubb-lock or cylinder lock
- See overleaf for details of items supplied and spare parts

Illustration shows right

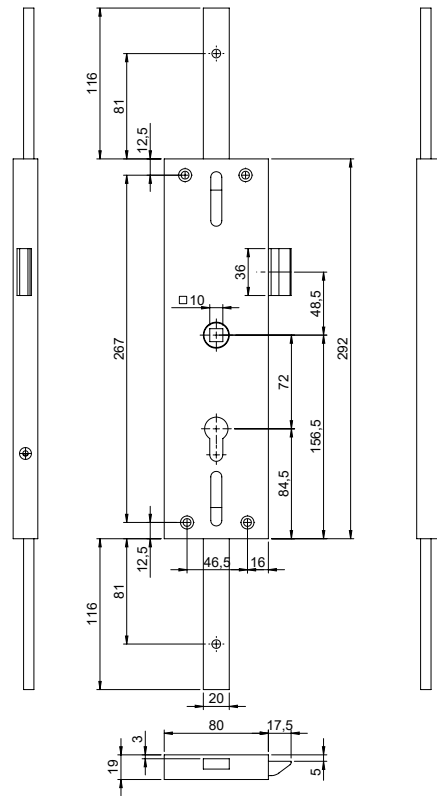


All technical specifications contained in this brochure are approximate and no guarantee is given as to their accuracy. Designs are subject to change.

Rod locks



633 555/556



622 622/623

Individual components detailed part list

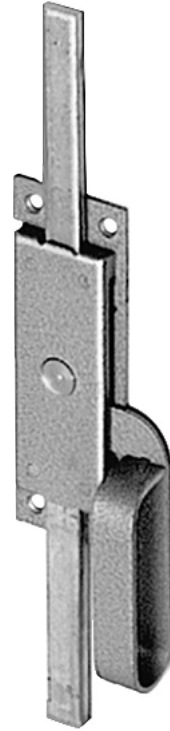
Component	Piece	Article No.		
		left	right	
Drive rod lock with receptacle for lock cylinder, galvanised	1	622 623	622 622	-
Gravity locking wedge, plastic	1	-	-	622 625
Handle recess, galvanised	1	633 521	633 520	-
Handle recess, stainless steel	1	633 523	633 522	-
Handle recess, plastic, black	1	633 555	633 556	-
Internal pressure piece, PUR integral skin foam	1	632 241	632 240	-
Outer handle, PUR integral skin foam	1	633 511	633 510	-
Rod guide	3	-	-	622 629
Rod end piece	2	-	-	622 628
Profile-cylinder lock for door thickness up to 30 mm	1	-	-	622 631
Profile lock cylinder for door thickness up to 30 mm	1	-	-	622 632
Cylinder cover PUR	1	-	-	633 549
U-profile drive rod, 3000 mm	1	-	-	622 626

Rod locks

Loop handle connecting key-bolt

For connecting rod joint square 20 x 7 mm

Over-all dimensions:	60 x 174 mm
Box dimensions:	50 x 130 mm
Total height:	12 mm
Accessory:	Rod guide 626 159
Material:	Steel, galvanised
Weight:	approx. 0.850 kg/each
Article No.	626 150 - right 626 151 - left



626 150

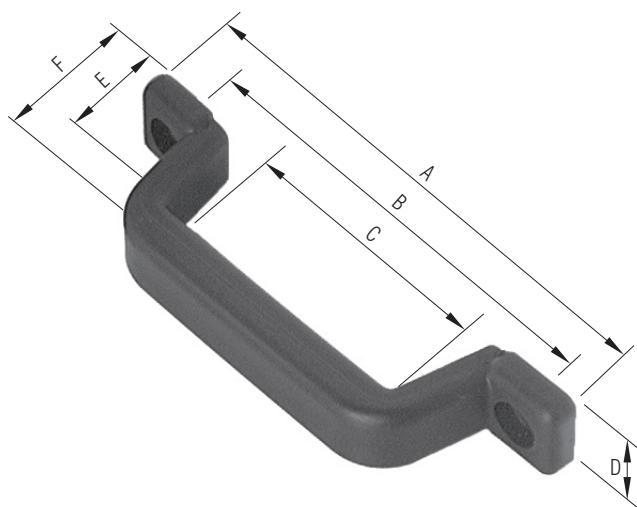
Handles made of PU / other materials

Titgemeyer handles have a clean, smooth, non-porous and consequently extremely attractive surface, are „hand-friendly“ and provide a real „grip“ - even in Winter when e.g. metal handles are „ice cold“. They are corrosion-free, light-weight, resistant to most oils and fats, petrol, light acids and diluted alkalines.

The insulation valuminiume is another part of the „hand-friend-liness“! Static discharge and leakage current are done away with.

Rubber handle

- As an operating handle for doors, lids, flaps, hoods, sky lights on vehicle fixings, housings, equipment, units, machinery, refrigeration and cellar rooms and for many other applications
- As a carrying bracket for crates, boxes and other containers
- Load bearing capacity in all directions thanks to the sturdy, foam rubber, galvanised steel moulding which simultaneously acts as a screw mounting basis with the facility for counter sunk fixing



Material: Rubber, black

Dimensions						Screw fixing hole	Weight approx.	Article No.
A	B	C	D	E	F	ø		
[mm]	[mm]	[mm]	[mm]	[mm]	[mm]	[mm]	[kg/each]	
190	160	100	30	32	50	6.5	0.18	633 410
280	250	175	30	35	55	6.5	0.30	633 420

Recessed handles

elasti-recessed handles

- Designed specially for installing on sliding doors, sliding panels, French doors, swivel panels, partition panels, flaps, covers, hoods, housings, gates etc.
- Also suitable as a carrying handle for specific applications
- Designed to be extremely „hand-friendly“. Screw mounting frame and grip frame with one piece, foam rubber moulding made of galvanised sheet metal

Screw fixing holes: 10 piece

Screw fixing hole \varnothing : 5 mm, counter sunk

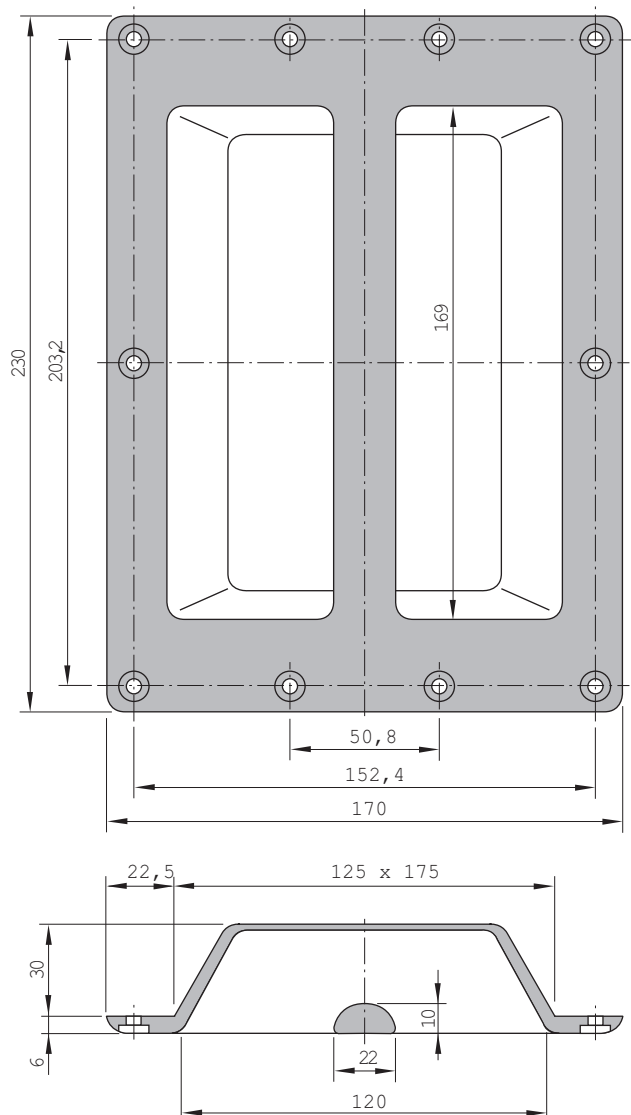
Material: Polyurethane-based integral foam rubber, black

Weight: approx. 0.375 kg/each

Article No. 633 211



is the sign for Titgemeyer
Polyurethananer integral foam
rubber mouldings



External handle

Cross handle with 8 mm square rod

For opening locks with 8 mm square hole

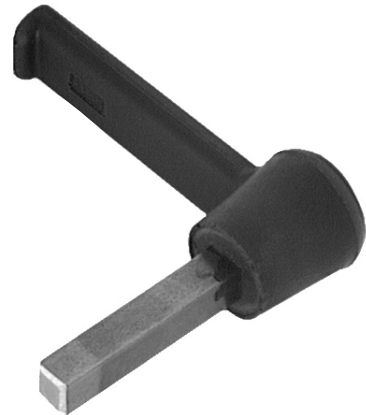
Hole distance:	36 mm
Installation height:	53 mm
Handle length:	81 mm
Accessory:	Rubber baseplate Article No. 632 198
Material:	Die-cast metal, chromium-plated
Weight:	approx. 0.250 kg/each
Article No.	632 190 - with cylinder lock



POLYURETHANER external door handle with 10 mm square hole

For opening locks with 10 mm square hole

Installation height:	35 mm
Handle length:	125 mm
Material:	Polyurethananer integral foam rubber, black
Weight:	approx. 0.160 kg/each
Article No.	633 510 - right
Article No.	633 511 - left



Internal handles

Internal handle with 8 mm square hole

Installation height:	29 mm
Handle length:	85 mm
Material:	Die-cast metal, chromium-plate
Weight:	approx. 0.060 kg/each
Article No.	632 230 - Internal handle



POLYURETHANER inner handle with 10 mm square hole

Installation height:	35 mm
Handle length:	120 mm
Material:	Polyurethamer integral foam rubber, black
Weight:	approx. 0.120 kg/each
Article No.	632 240 - right
Article No.	632 241 - left

